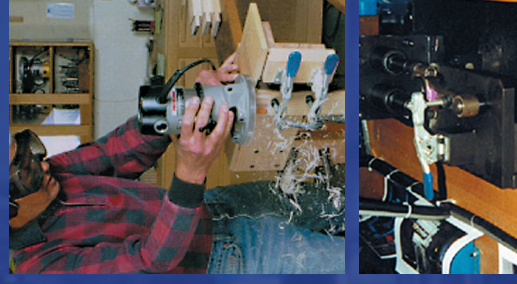
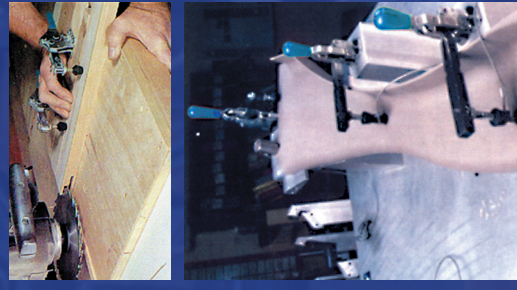




CLAMP-RITE



# 2014

JANUARY						
S	M	T	W	T	F	S
			1	2	3	4
5	6	7	8	9	10	11
12	13	14	15	16	17	18
19	20	21	22	23	24	25
26	27	28	29	30	31	

FEBRUARY						
S	M	T	W	T	F	S
						1
2	3	4	5	6	7	8
9	10	11	12	13	14	15
16	17	18	19	20	21	22
23	24	25	26	27	28	

MARCH						
S	M	T	W	T	F	S
						1
2	3	4	5	6	7	8
9	10	11	12	13	14	15
16	17	18	19	20	21	22
23	24	25	26	27	28	29
30	31					

APRIL						
S	M	T	W	T	F	S
	1	2	3	4	5	
6	7	8	9	10	11	12
13	14	15	16	17	18	19
20	21	22	23	24	25	26
27	28	29	30			

MAY						
S	M	T	W	T	F	S
			1	2	3	
4	5	6	7	8	9	10
11	12	13	14	15	16	17
18	19	20	21	22	23	24
25	26	27	28	29	30	31

JUNE						
S	M	T	W	T	F	S
1	2	3	4	5	6	7
8	9	10	11	12	13	14
15	16	17	18	19	20	21
22	23	24	25	26	27	28
29	30					

JULY						
S	M	T	W	T	F	S
	1	2	3	4	5	
6	7	8	9	10	11	12
13	14	15	16	17	18	19
20	21	22	23	24	25	26
27	28	29	30	31		

AUGUST						
S	M	T	W	T	F	S
				1	2	
3	4	5	6	7	8	9
10	11	12	13	14	15	16
17	18	19	20	21	22	23
24	25	26	27	28	29	30
31						

SEPTEMBER						
S	M	T	W	T	F	S
1	2	3	4	5	6	
7	8	9	10	11	12	13
14	15	16	17	18	19	20
21	22	23	24	25	26	27
28	29	30				

OCTOBER						
S	M	T	W	T	F	S
		1	2	3	4	
5	6	7	8	9	10	11
12	13	14	15	16	17	18
19	20	21	22	23	24	25
26	27	28	29	30	31	

NOVEMBER						
S	M	T	W	T	F	S
						1
2	3	4	5	6	7	8
9	10	11	12	13	14	15
16	17	18	19	20	21	22
23	24	25	26	27	28	29
30						

DECEMBER						
S	M	T	W	T	F	S
		1	2	3	4	5
6	7	8	9	10	11	12
13	14	15	16	17	18	19
20	21	22	23	24	25	26
27	28	29	30	31		

## Fractional Inch/Decimal Inch/Millimeters Conversion Chart

Fractional inch	Decimal inch	Millimeters
1/64	.0156	.396
1/32	.0312	.793
3/64	.0468	1.190
1/16	.0625	1.587
5/64	.0781	1.984
3/32	.0937	2.381
7/64	.1093	2.778
1/8	.1250	3.175
9/64	.1406	3.571
5/32	.1562	3.968
11/64	.1718	4.365
3/16	.1875	4.762
13/64	.2031	5.159
7/32	.2187	5.556
15/64	.2343	5.953
1/4	.2500	6.350
17/64	.2656	6.746
9/32	.2812	7.143
19/64	.2968	7.540
5/16	.3125	7.937
21/64	.3281	8.334
11/32	.3437	8.731

Fractional inch	Decimal inch	Millimeters
23/64	.3593	9.128
3/8	.3750	9.525
25/64	.3906	9.921
13/32	.4062	10.318
27/64	.4218	10.715
7/16	.4375	11.112
29/64	.4531	11.509
15/32	.4687	11.906
31/64	.4843	12.303
1/2	.5000	12.700
33/64	.5156	13.096
17/32	.5312	13.493
35/64	.5468	13.890
9/16	.5625	14.287
37/64	.5781	14.684
19/32	.5937	15.081
39/64	.6093	15.478
5/8	.6250	15.875
41/64	.6406	16.271
21/32	.6562	16.668
43/64	.6718	17.065
11/16	.6875	17.462

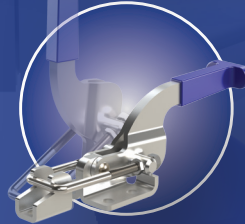
Fractional inch	Decimal inch	Millimeters
45/64	.7031	17.859
23/32	.7187	18.256
47/64	.7343	18.653
3/4	.7500	19.050
49/64	.7656	19.446
25/32	.7812	19.843
51/64	.7968	20.240
13/16	.8125	20.637
53/64	.8281	20.034
27/32	.8437	21.431
55/64	.8593	21.828
7/8	.8750	22.225
57/64	.8906	22.621
29/32	.9062	23.018
59/64	.9218	23.415
15/16	.9375	23.812
61/64	.9531	24.209
31/32	.9687	24.606
63/64	.9843	25.003
1	1.0000	25.400

1 mm = .03937"

.001" = .0254 mm

CLAMP-RITE  
www.clamp-rite.com

Push/Pull Toggle Clamps



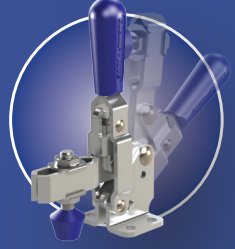
Latch Type Toggle Clamps



Horizontal Handle Toggle Clamps



Vertical Handle Toggle Clamps



www.clamp-rite.com



Vertical Handle Toggle Clamps

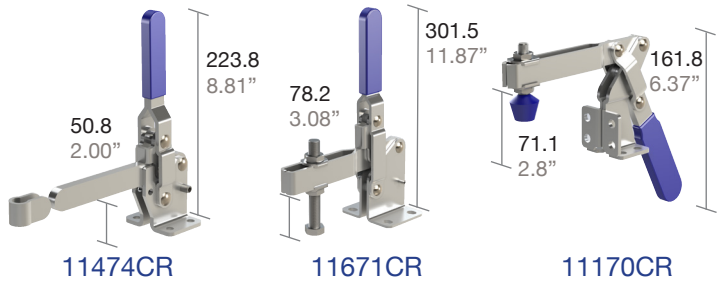
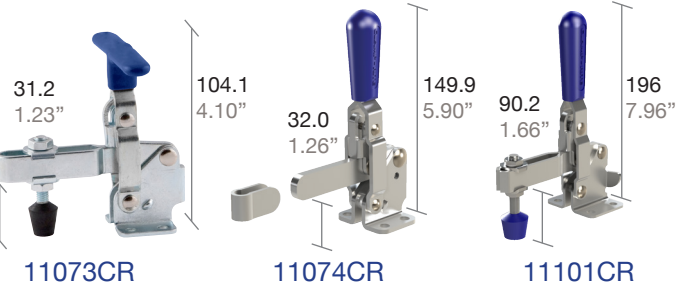
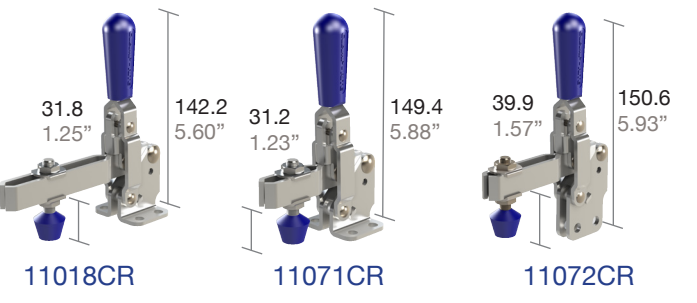
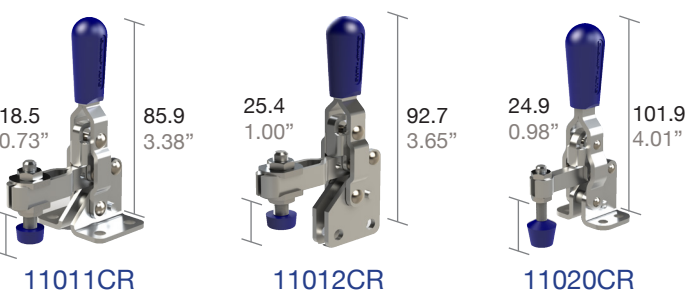
Vertical Handle Toggle Clamps

Horizontal Handle Toggle Clamps

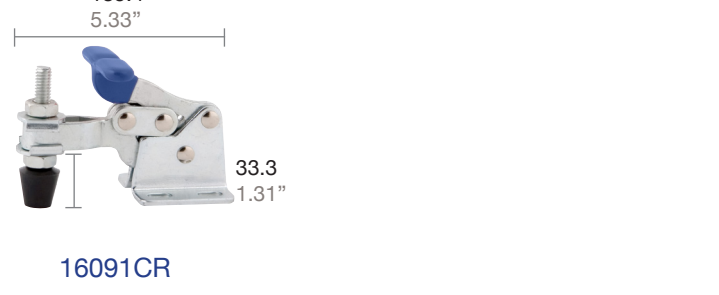
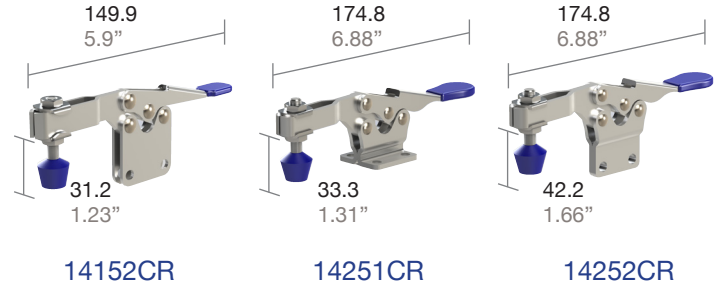
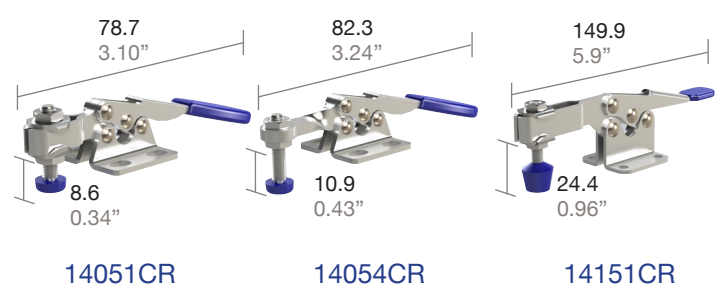
Latch Type Toggle Clamps

Push/Pull Action Toggle Clamps

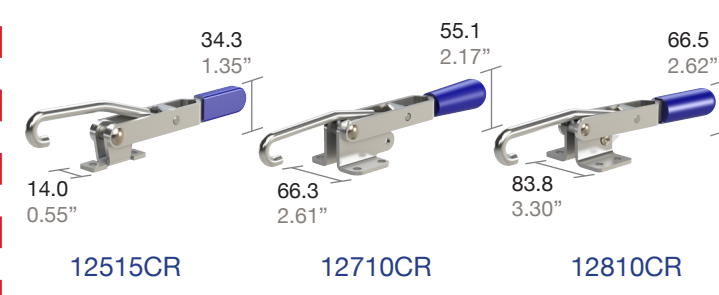
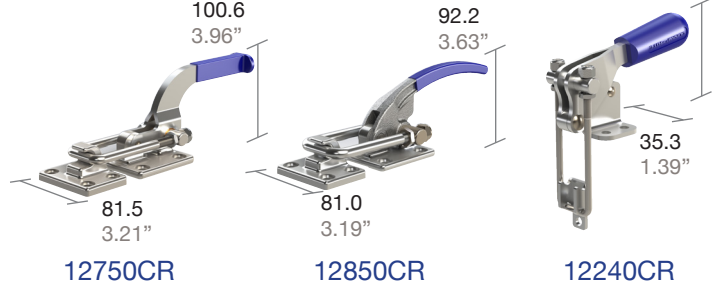
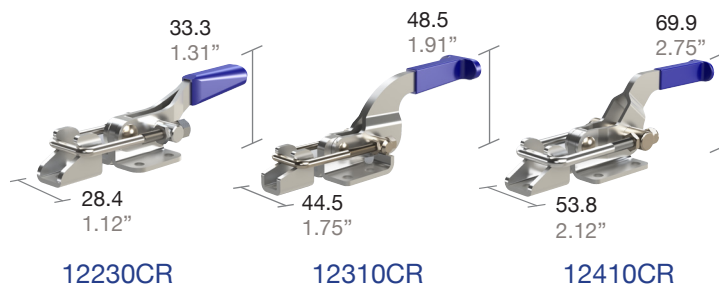
Accessories



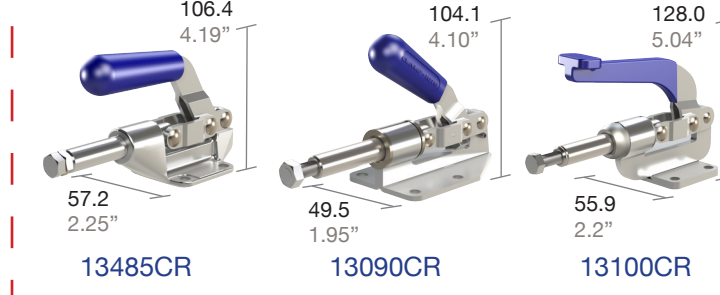
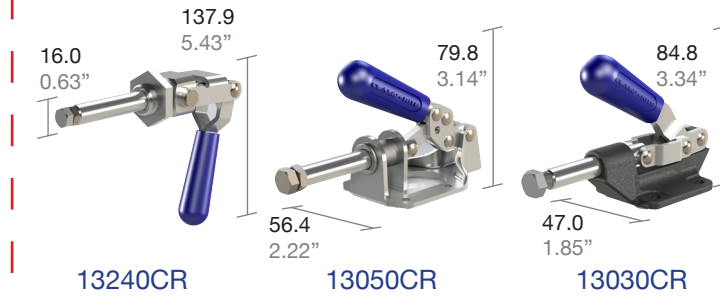
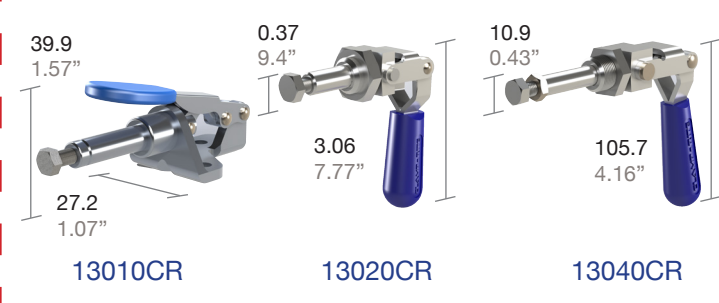
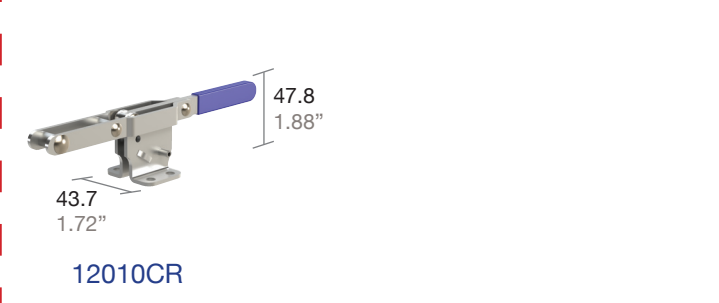
Horizontal Handle Toggle Clamps



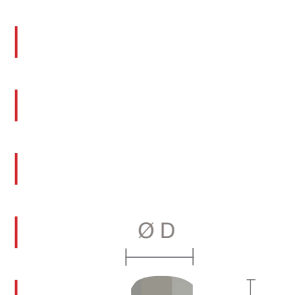
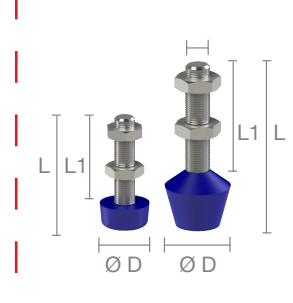
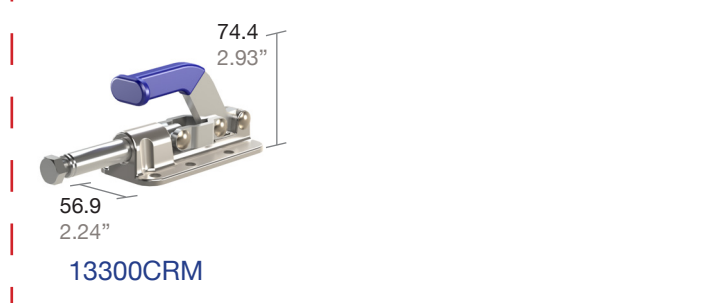
Latch Type Toggle Clamps



Latch Type Toggle Clamps



Push/Pull Action Toggle Clamps



Flat Cushion Tip Bonded Cap Spindle (includes two jam nuts)

Model	D	M	L	L1	Type
mm/in.					
19218CR	0.63	1/4-20	54.1	40.1	B
19316CR	0.83	5/16-18	76.2	58.2	B
19312CR	0.88	3/8-16	89.0	63.5	B
19420CR	0.31	M4X0.7	22	20	A
19525CR	0.39	M5X0.8	29	25	A
19836CR	0.75	M8X1.25	45.3	32.6	A
19630CR	0.63	M6X1.0	44	30	B
19835CR	0.83	M8X1.25	53	35	B
19055CR	1.02	M10X1.5	79	55	B

Standard Adjustable Spindle (includes two jam nuts)

Model	D	M	L	L1
mm/in.				
19105CR*	0.25	#8-32	0.86	0.75
19145CR	0.44	1/4-20	0.80	0.63
19518CR	0.50	5/16-18	1.22	1.00
19381CR	0.56	3/8-16	1.50	1.25
19310CR	0.75	1/2-13	3.31	3.00
19450CR	0.75	1/2-13	4.81	4.50
19421CR*	0.47	M4 x 0.7	0.86	0.75
19616CR	0.39	M6 x 1.0	0.87	0.78
19825CR	0.51	M8 x 1.25	1.14	0.98
19103CR	0.67	M10 x 1.5	1.69	1.38

\*Material: Nylon

Bolt Retainer

Model	A	B	F1	d
mm/in.				
19516CR	1.20	0.64	0.25	0.32
19380CR	37.3	0.74	0.33	0.41
19120CR	43.2	30.2	9.7	17.0