

# ADJUSTABLE CLAMPABILITY



82M-3E Series Enclosed Power Clamp





**THE BEST PRODUCTS. UNMATCHED SERVICE. WORLDWIDE.**

With a support network spanning the globe, DE-STA-CO offers consistent, comprehensive service to any location in the world. Whether your operations are localized or span multiple continents, you will always have access to the highest levels of customer service and technical support.

Since its founding in 1915, DE-STA-CO has focused on outstanding customer service. The company grew steadily over the next four decades and in 1958 started to expand internationally. In 1983, DE-STA-CO opened its first overseas manufacturing facility in Thailand. With the acquisition of Robohand in 1996, and CPI Products in 2001, DE-STA-CO expanded its capabilities to include automation and end of arm tooling system design and build. Further growth in automation was achieved with the acquisition and integration of other well-known brands like Camco and Ferguson. In 2008, we strengthened our presence in life sciences when Central Research Laboratories (CRL) joined team DE-STA-CO.

Today, DE-STA-CO is a world leader in the innovation, design, manufacture and support of clamping, gripping, transferring, indexing and robotic tooling solutions for workplace and automation needs.

Our growth is a direct result of our commitment to serve customers of all sizes on a local, one-to-one basis.

**DE-STA-CO provides productivity solutions to a diverse range of market segments**

- Aerospace
- Automotive/transportation
- Consumer products
- Food and packaging
- Plastic injection molding
- Medical
- Defense



## Providing the world with trusted clamping solutions for over 25 years.

Our power clamps are designed to meet the requirements of automotive and sheet metal processing segments, while lasting millions of cycles. DE-STA-CO's expertise in clamping has connected solutions to an array of industries including:

- Automotive
- Aerospace
- Appliance manufacturing
- Transportation

---

When it comes to holding and positioning work perfectly in place, look no further than DE-STA-CO's complete line of 82M-3Es to get the job done. A few of the applications this series is best suited for include:

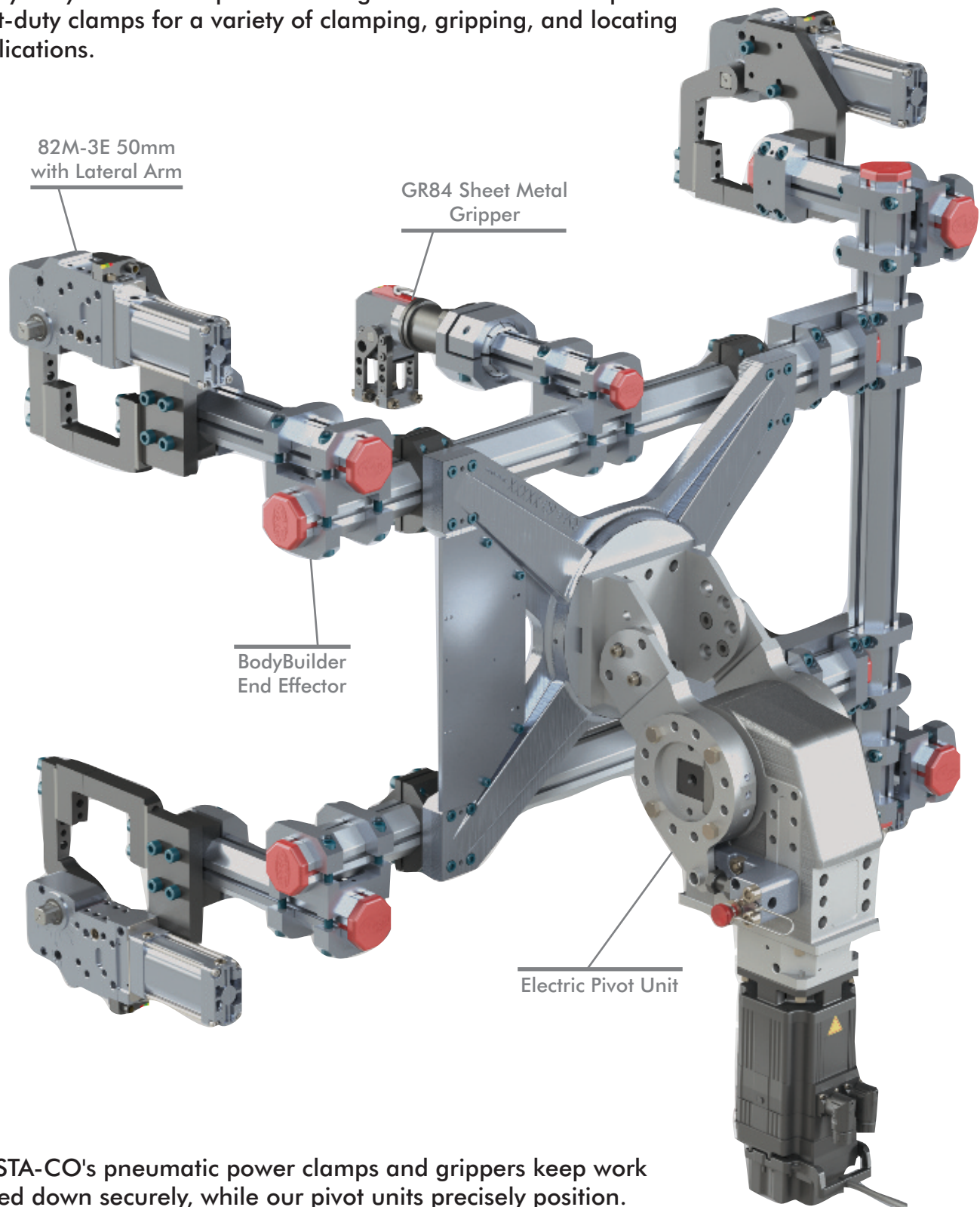
- Pressroom and stamping
- Automated and fixture welding
- Positioning and locating





## Material Handling Clamping Solutions

DE-STA-CO's pneumatic power clamps and grippers range from heavy-duty sealed clamps for welding environments to compact light-duty clamps for a variety of clamping, gripping, and locating applications.

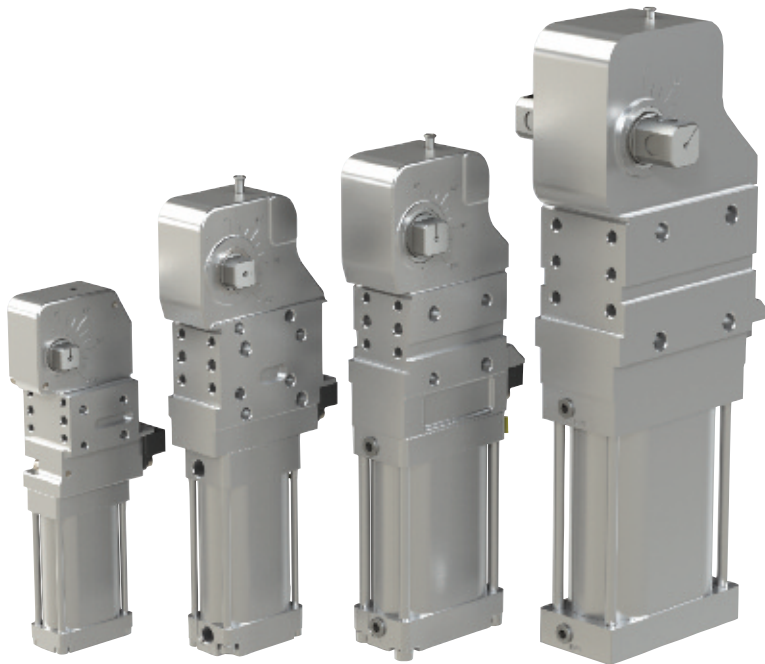


DE-STA-CO's pneumatic power clamps and grippers keep work locked down securely, while our pivot units precisely position.



Series 82M-3E Features & Benefits

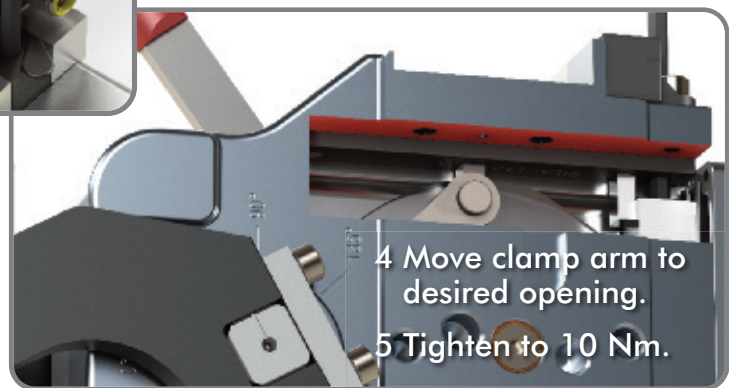
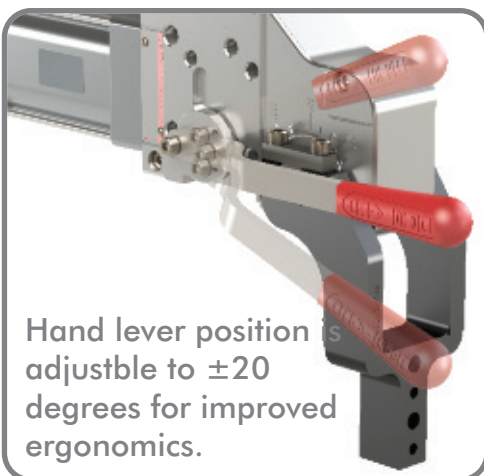
DE-STA-CO's 82M-3E Series pneumatic power clamps are built to withstand the harshest of manufacturing environments and deliver superior clamping power.



- Field adjustable opening angle
- Enclosed aluminum body
- Multiple mounting surfaces provide greater flexibility
- Conform to NAAMS and Euro mounting standards
- Four clamp sizes available: 40mm, 50mm, 63mm, 80mm
- Manual locking/unlocking in case of air pressure loss

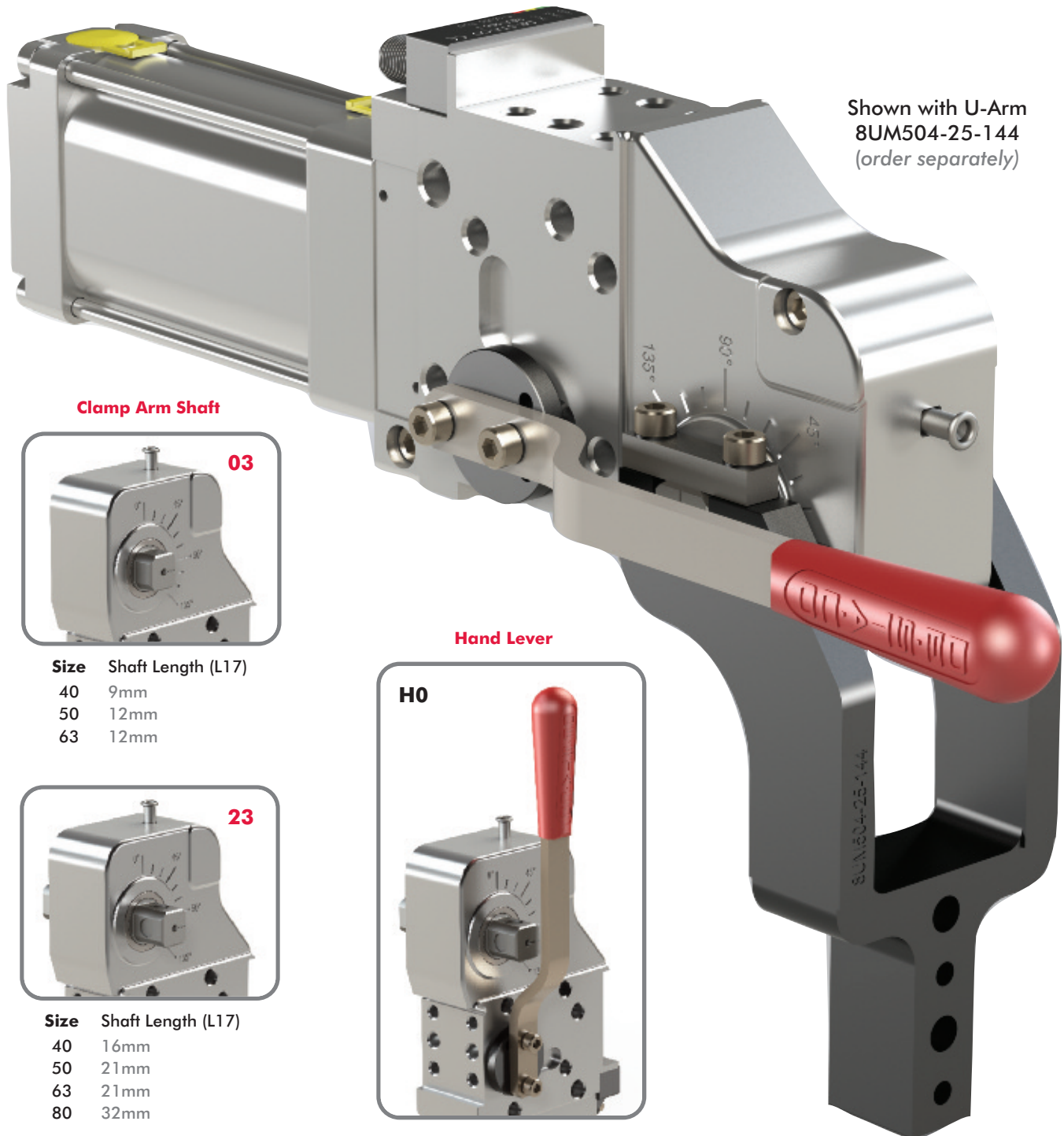
Adjust the 82M-3E arm opening angle easily with an M5 Allen wrench.

- 1 Lift and rotate cover behind sensor for adjustment access.
- 2 Move clamp arm to full open position, looking through access hole for adjustment fastener.



## Series 82M-3E Ordering Information

<b>82M-3</b>	<b>E</b>	<b>23</b>	<b>H0</b>	<b>50</b>	<b>L8</b>
<b>Base Model</b>	<b>Mounting</b>	<b>Description</b>	<b>Clamp Arm Shaft</b>	<b>Description</b>	<b>Handle</b>
	<b>E</b> <b>N</b>	Standard NAAMS (Size 63 only)	<b>03</b> <b>23</b>	for U-Arms for Lateral Arms	<b>00</b> <b>H0</b>
			See below for further details		No Hand lever Hand Lever



Shown with U-Arm  
8UM504-25-144  
(order separately)

### Clamp Arm Shaft



**03**

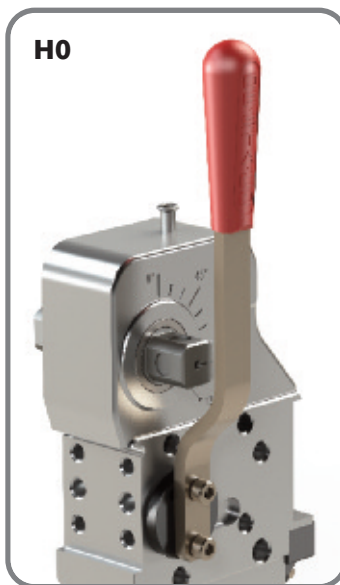
<b>Size</b>	<b>Shaft Length (L17)</b>
40	9mm
50	12mm
63	12mm



**23**

<b>Size</b>	<b>Shaft Length (L17)</b>
40	16mm
50	21mm
63	21mm
80	32mm

### Hand Lever



**H0**

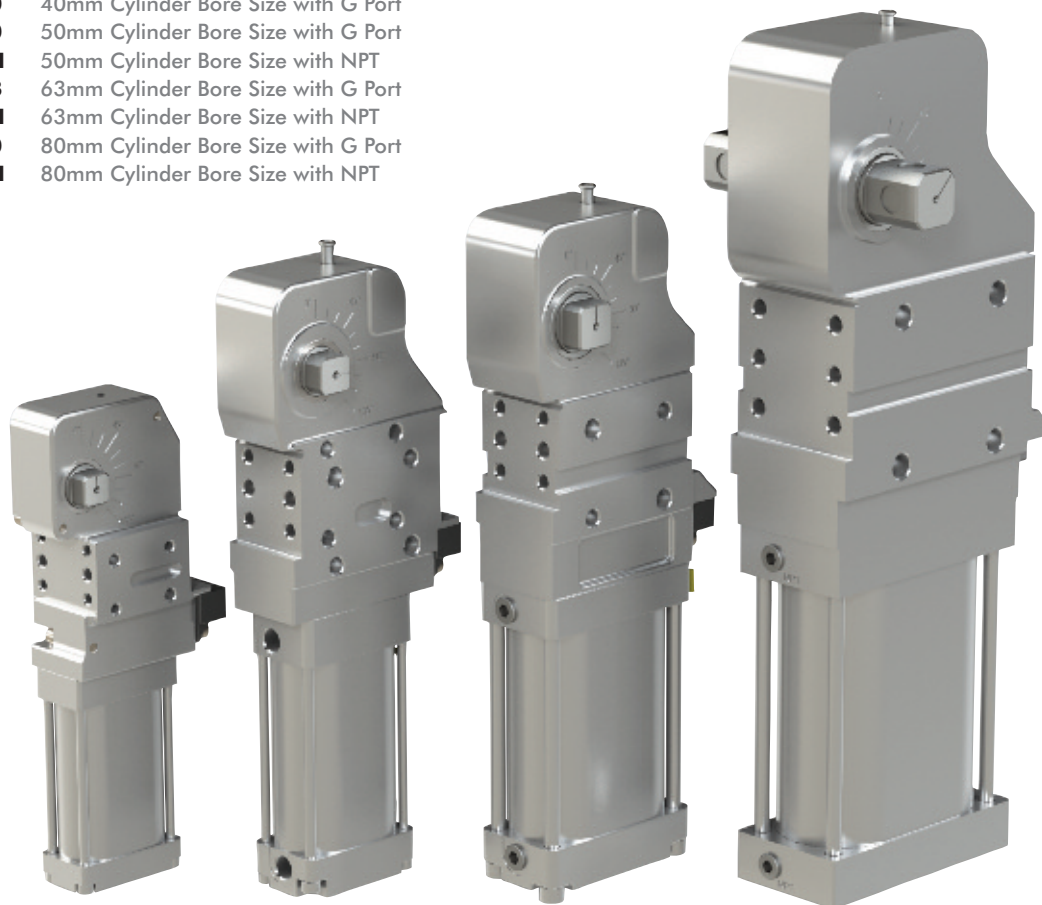


## Series 82M-3E Ordering Information

Sensor	Description
00	No sensor
L8	Sensor with In-line Connector (Replacement Order No.: 8EA-146-1)
L9	Sensor with 90 deg Connection (Replacement Order No.: 8EA-147-1)



Size	Description
40	40mm Cylinder Bore Size with G Port
50	50mm Cylinder Bore Size with G Port
5N	50mm Cylinder Bore Size with NPT
63	63mm Cylinder Bore Size with G Port
6N	63mm Cylinder Bore Size with NPT
80	80mm Cylinder Bore Size with G Port
8N	80mm Cylinder Bore Size with NPT



**40**

Max Holding Torque  
380 Nm  
Max Clamping Torque  
120 Nm at 5bar

**50**

Max Holding Torque  
800 Nm  
Max Clamping Torque  
270 Nm at 5bar

**63**

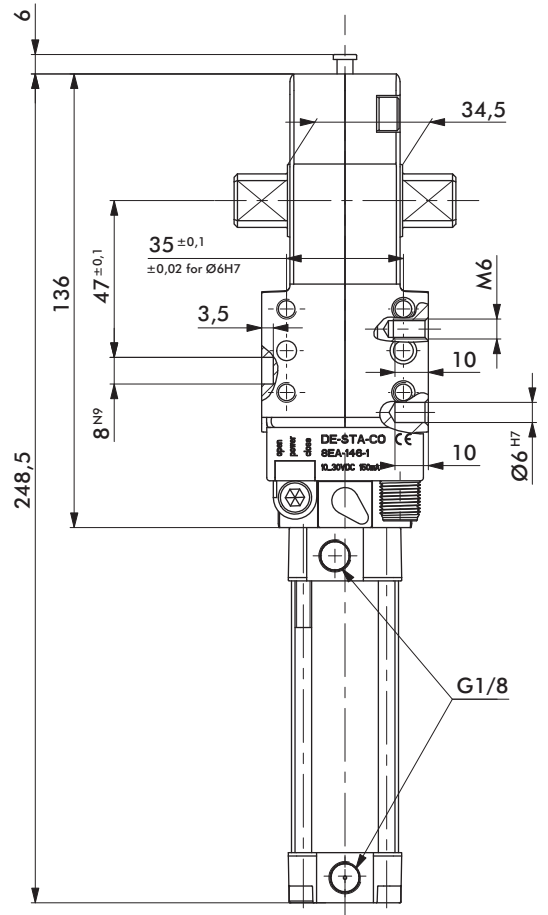
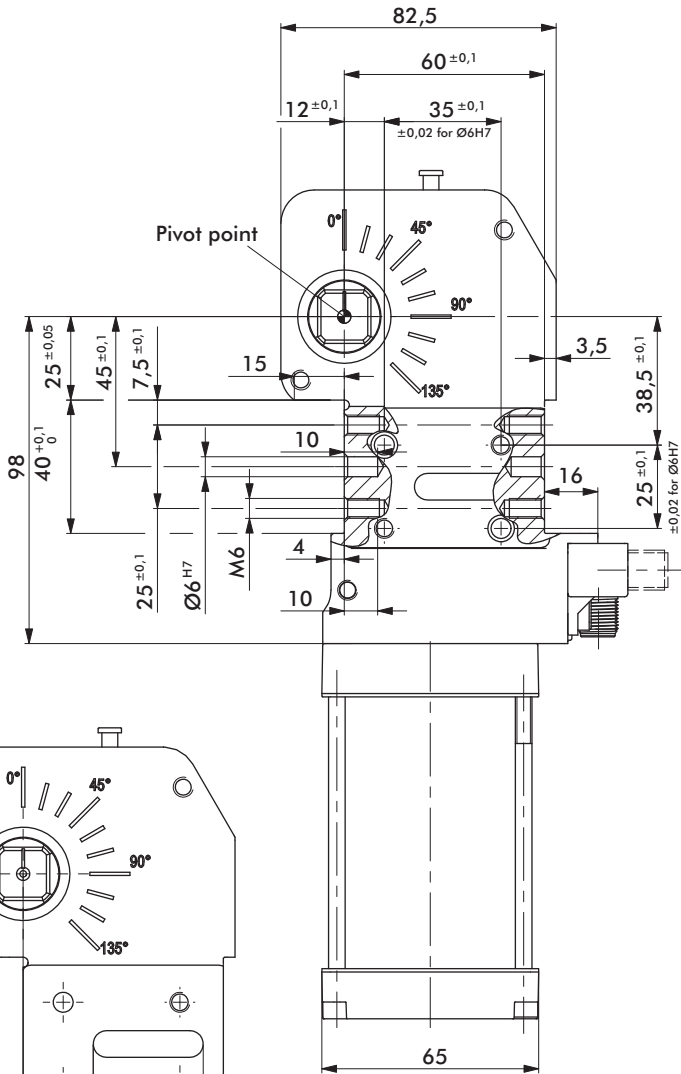
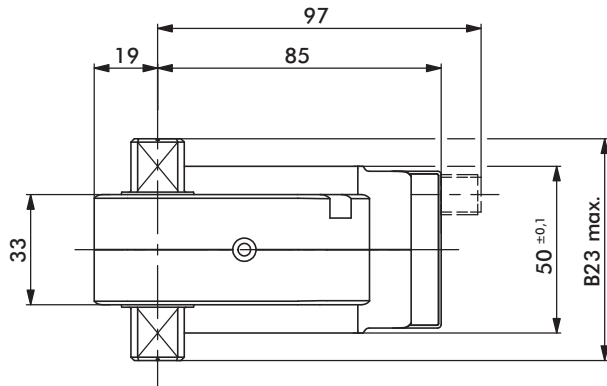
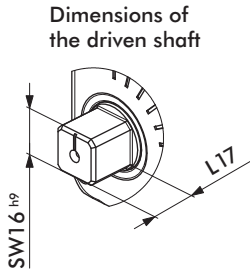
Max Holding Torque  
1000 Nm  
Max Clamping Torque  
420 Nm at 5bar

**80**

Max Holding Torque  
3000 Nm  
Max Clamping Torque  
850 Nm at 5bar

Series 82M-3E\*\*\*\*40 Standard Clamp Dimensions

Model	B23 Max.	L17
82M-3E03**40**	54,5	9
82M-3E23**40**	66,5	16

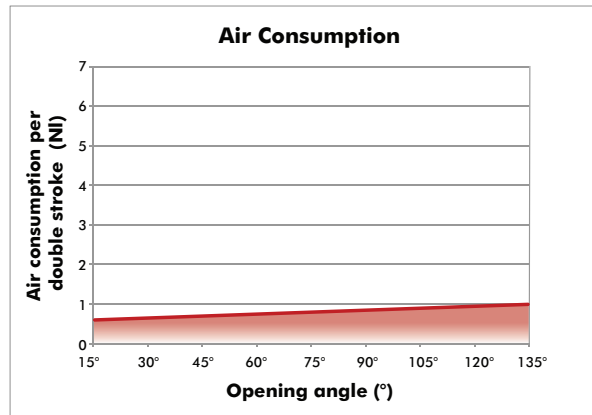
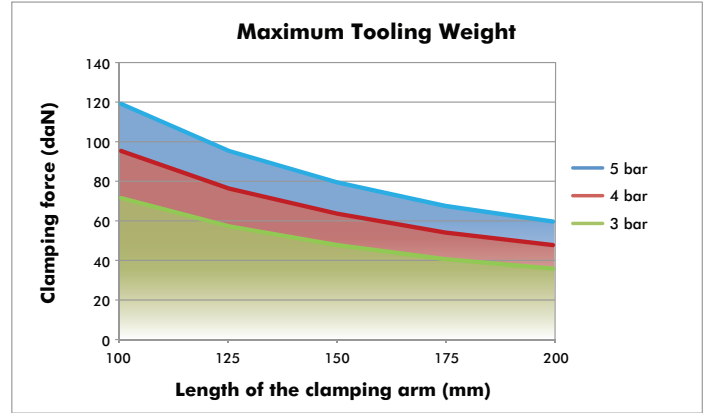
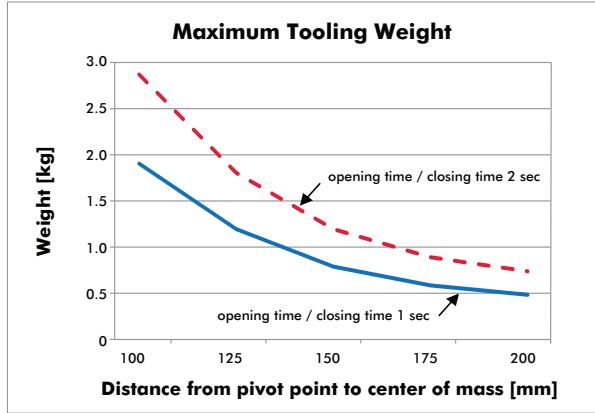


Power by compressed air, max. 6 bar operation with oil-free air is permissible.  
The connector socket and the cable are not supplied with the unit.



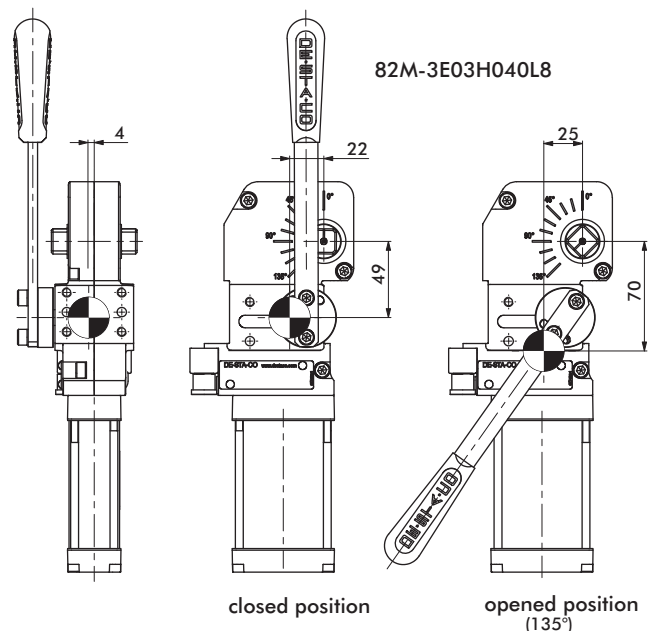
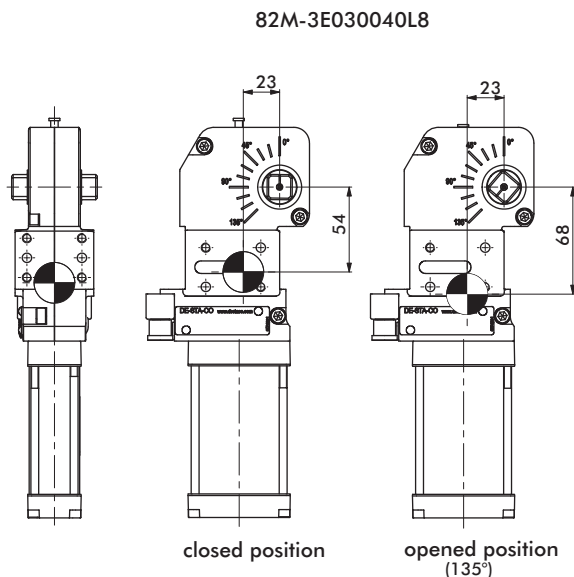
## Series 82M-3E\*\*\*\*40 Specifications

Model	Max. Holding Torque (Nm)	Clamping Torque at 5 bar (Nm)	Cylinder Ø (mm)	Weight (kg)	Air Consumption per double stroke at 5 bar (liter)
82M-3E****40**	380	120	40	1,5	0,9



Model	Weight
82M-3E030040L*	1,5
82M-3E03H040L*	1,6

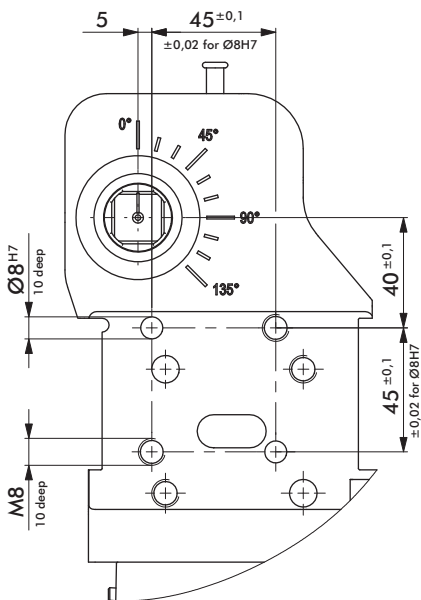
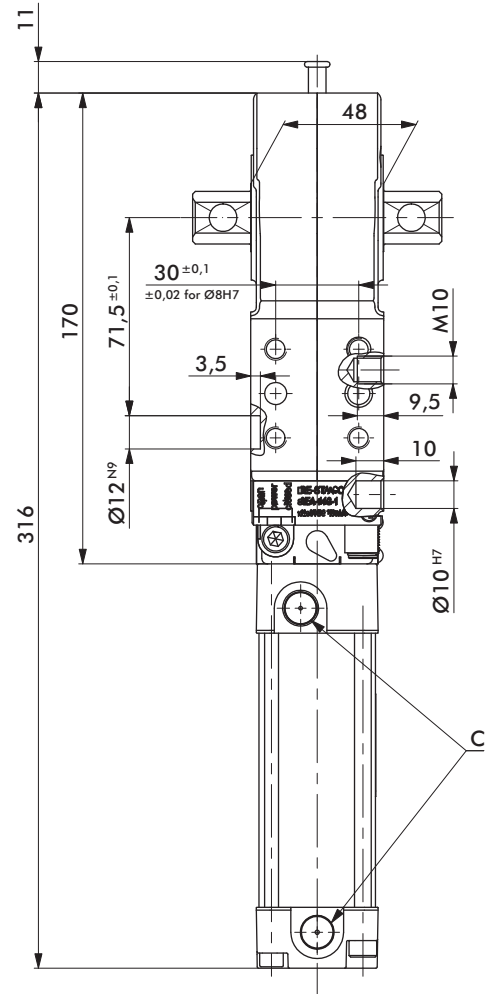
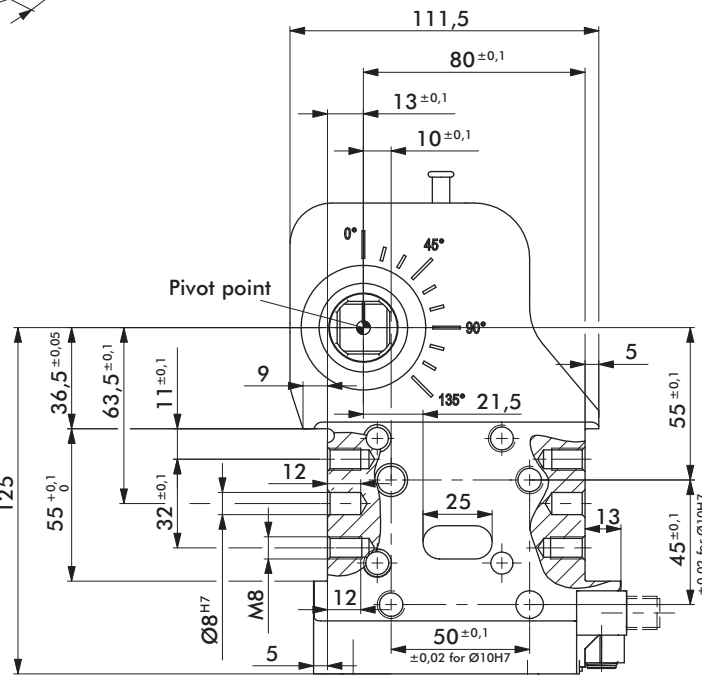
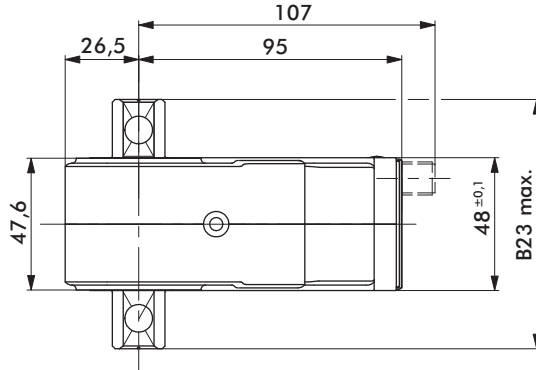
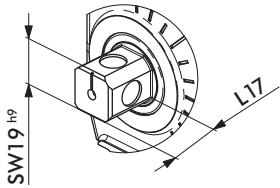
## Series 82M-3E\*\*\*\*40 Center of Mass



Series 82M-3E\*\*\*\*5\* Standard Clamp Dimensions

Model	B23 Max.	L17
82M-3E03****5***	72	12
82M-3E23****5***	90	21

Dimensions of the driven shaft



**Important !**  
For optimal cushioning external pneumatic one-way, flow control valves should be used.

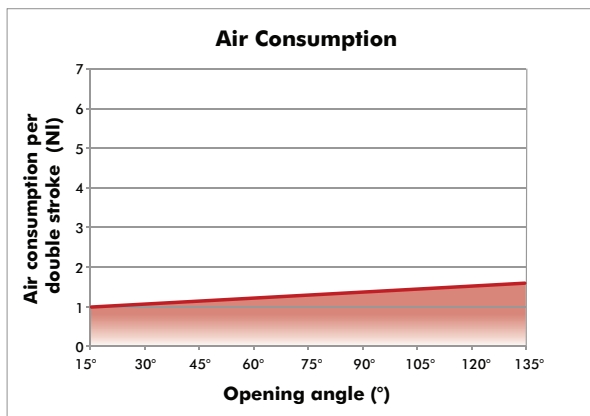
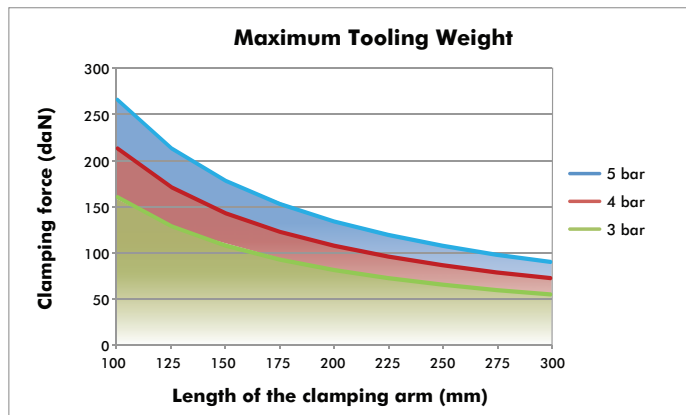
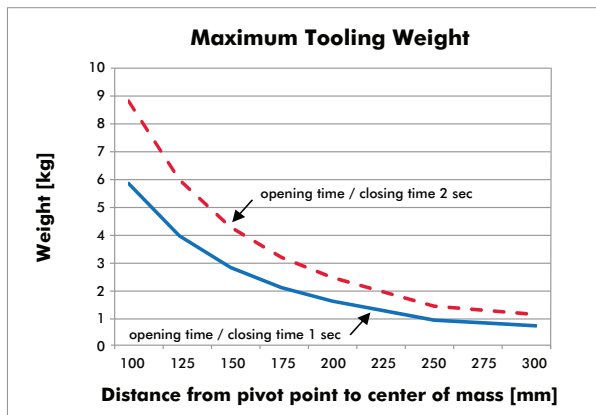
Power by compressed air, max. 6 bar operation with oil-free air is permissible.  
The connector socket and the cable are not supplied with the unit.





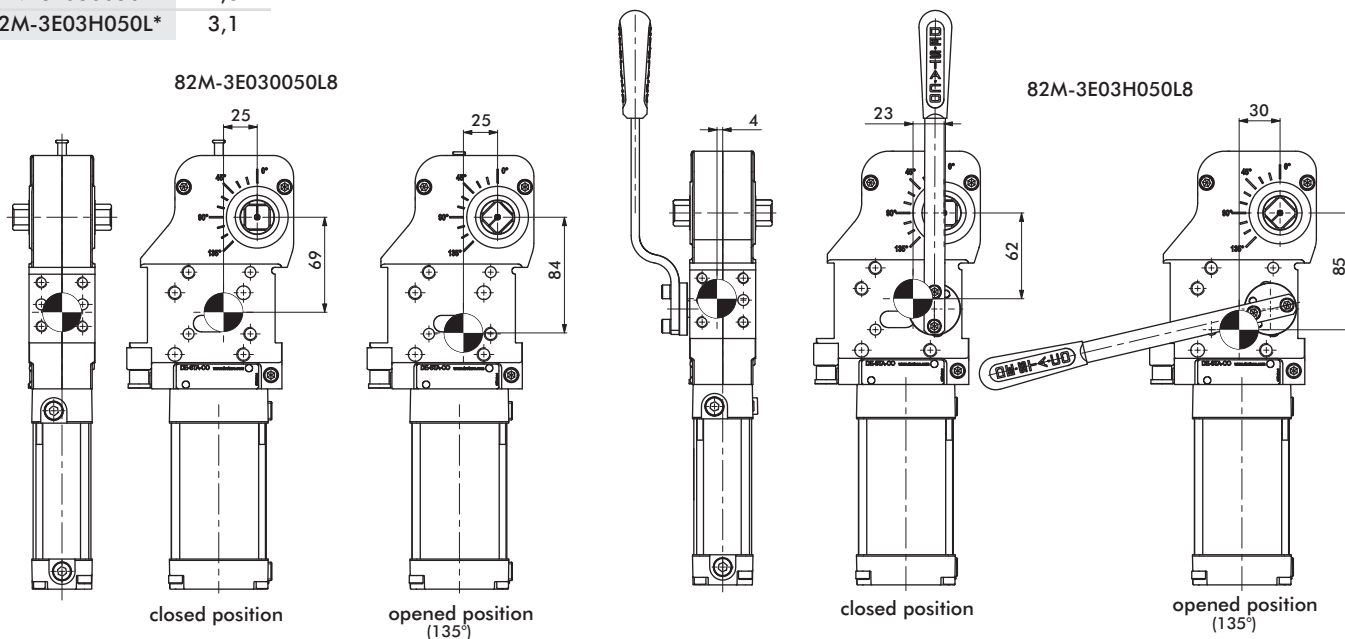
## Series 82M-3E\*\*\*\*5\* Specifications

Model	Connection (C)	Max. Holding Torque (Nm)	Clamping Torque at 5 bar (Nm)	Cylinder Ø (mm)	Weight (kg)	Air Consumption per double stroke at 5 bar (liter)
82M-3E****50**	G 1/4	800	270	50	2,8	1,6
82M-3E****5N**	1/4-18 NPT					



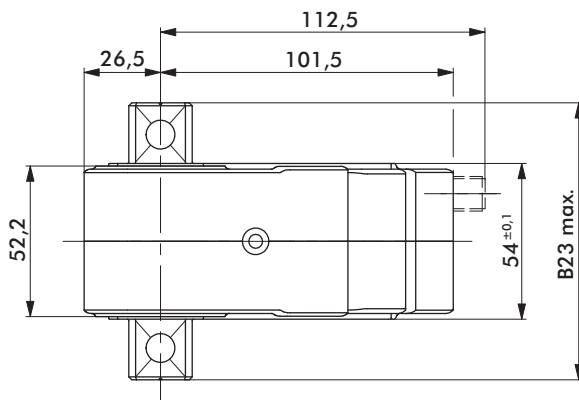
Model	Weight
82M-3E030050L*	2,8
82M-3E03H050L*	3,1

## Series 82M-3E\*\*\*\*5\* Center of Mass

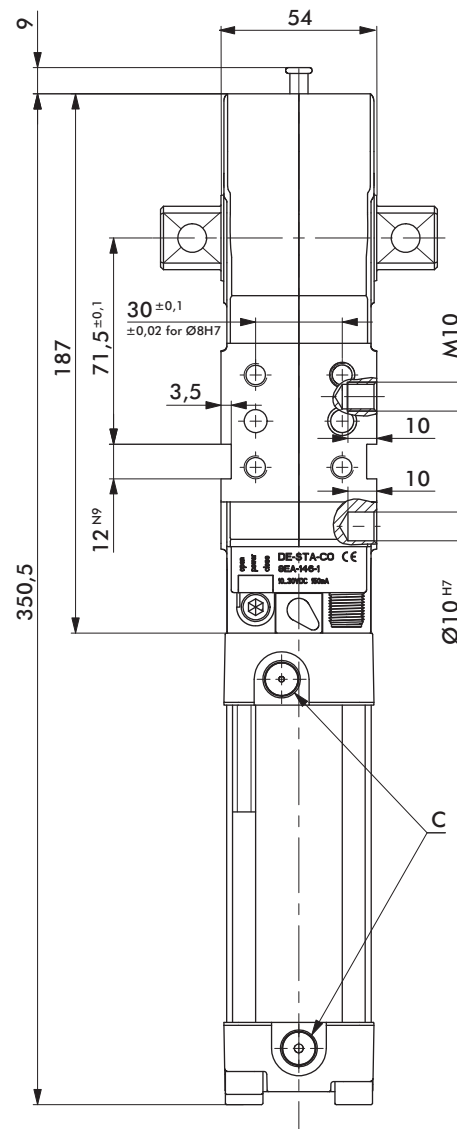
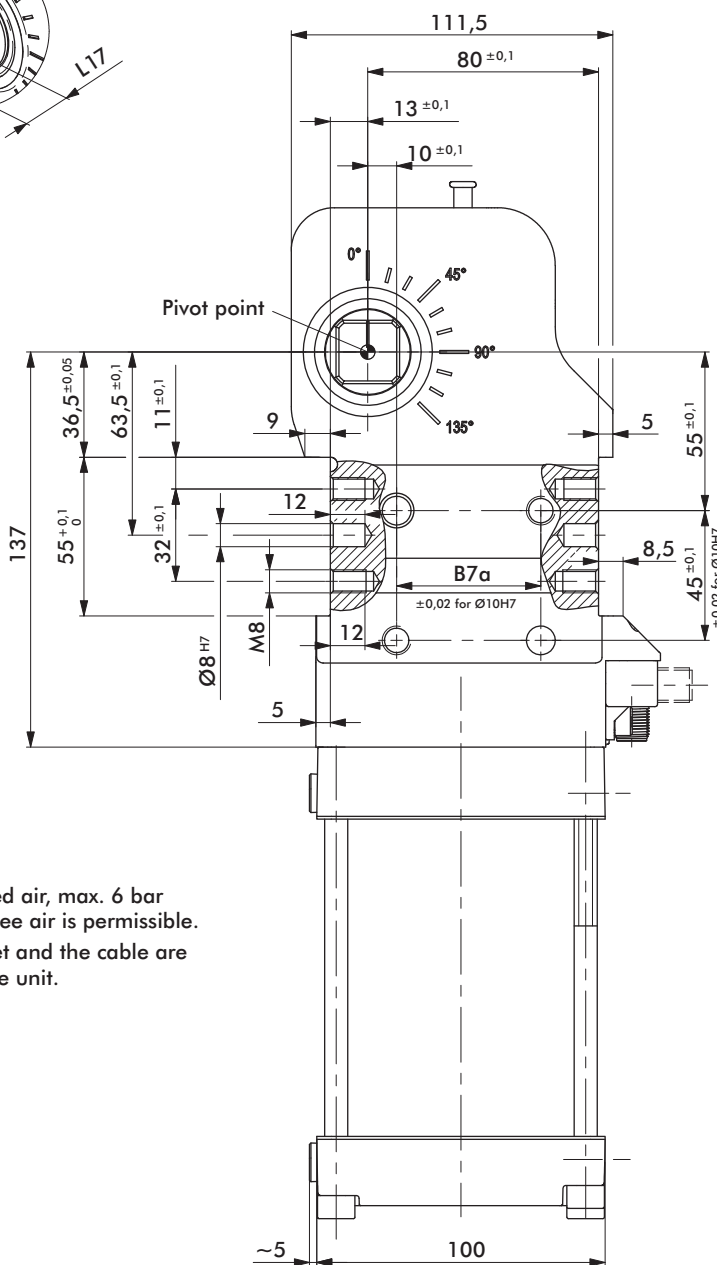
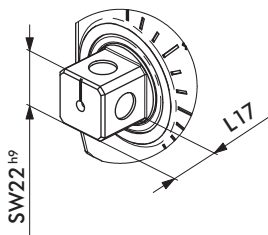


Series 82M-3\*\*\*\*6\* Standard Clamp Dimensions

Model	B7a ±0,1	B23 Max.	L17
82M-3E03**6***	50	78	12
82M-3N03**6***	55	96	21
82M-3E23**6***	50	106	26
82M-3N23**6***	55		
82M-3ND0**6***	55		



Dimensions of the driven shaft



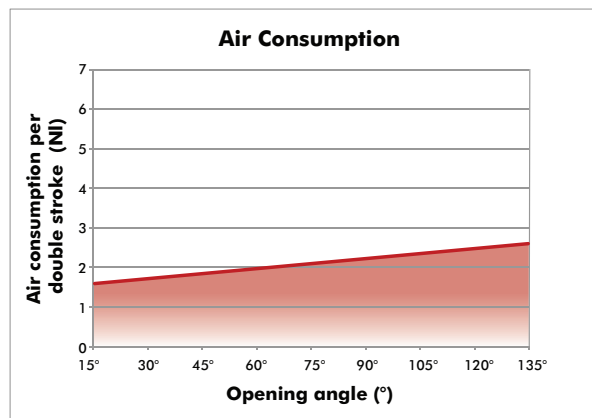
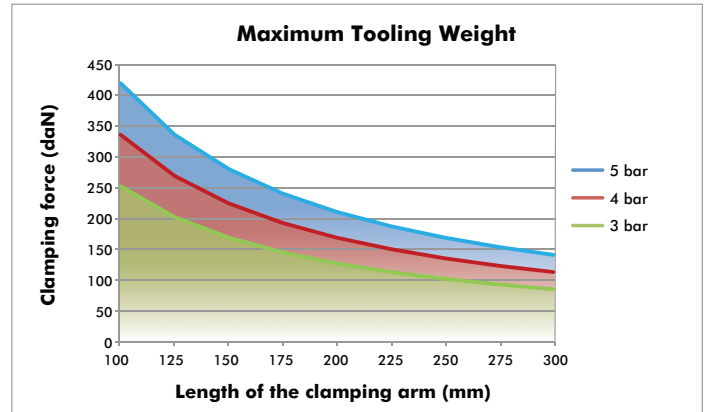
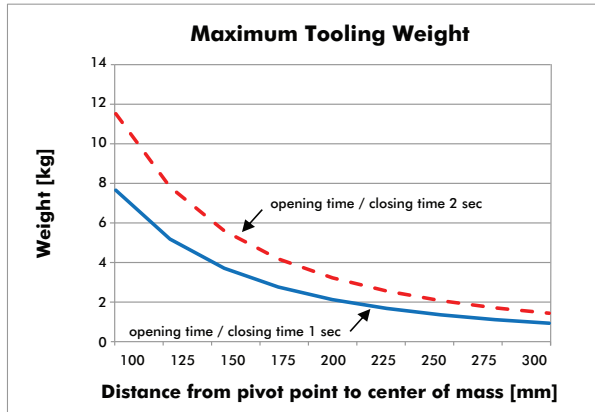
Power by compressed air, max. 6 bar operation with oil-free air is permissible. The connector socket and the cable are not supplied with the unit.

**Important !**  
For optimal cushioning external pneumatic one-way, flow control valves should be used.



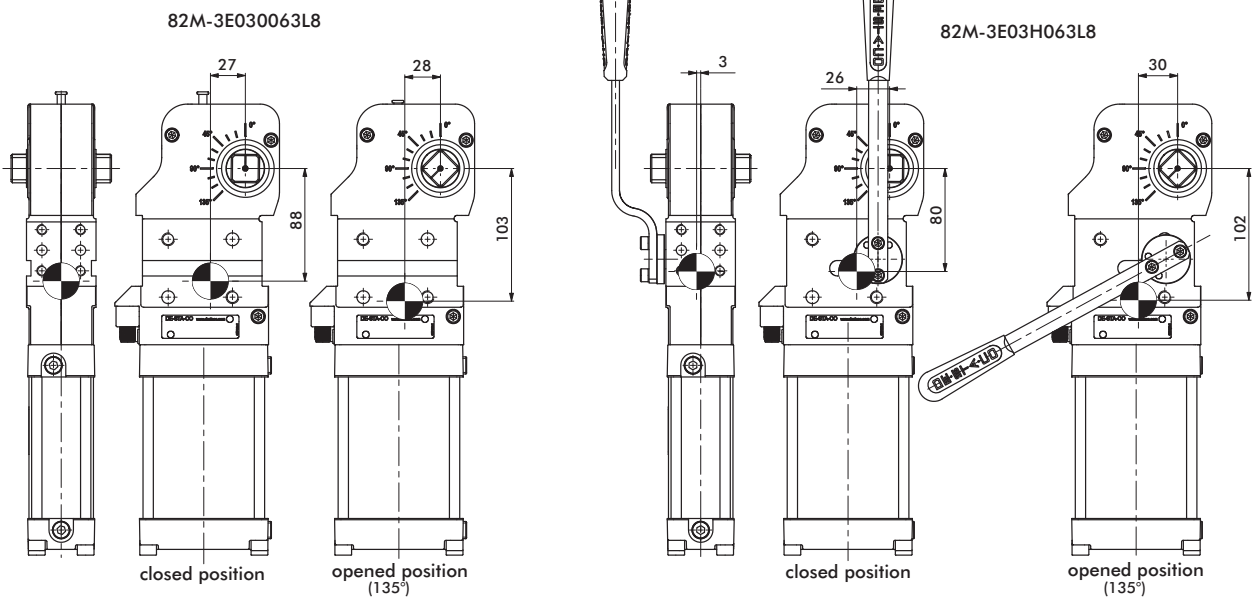
## Series 82M-3\*\*\*\*\*6\* Specifications

Model	Connection (C)	Max. Holding Torque (Nm)	Clamping Torque at 5 bar (Nm)	Cylinder Ø (mm)	Weight (kg)	Air Consumption per double stroke at 5 bar (liter)
82M-3E****63**	G 1/4	1000	420	63	3,8	2,6
82M-3N****63**						
82M-3E****6N**	1/4-18 NPT	1000	420	63	3,8	2,6
82M-3N****6N**						

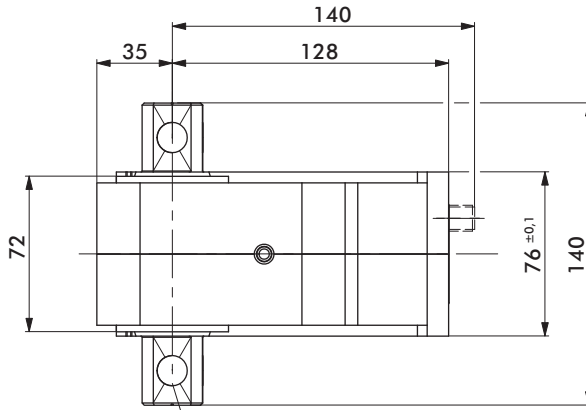


Model	Weight
82M-3E030063L*	3,8
82M-3E03H063L*	4,2

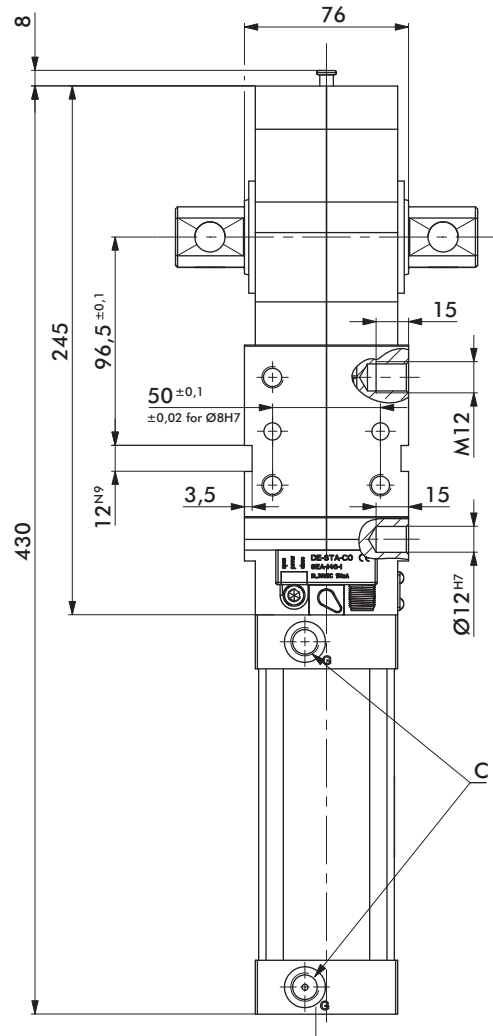
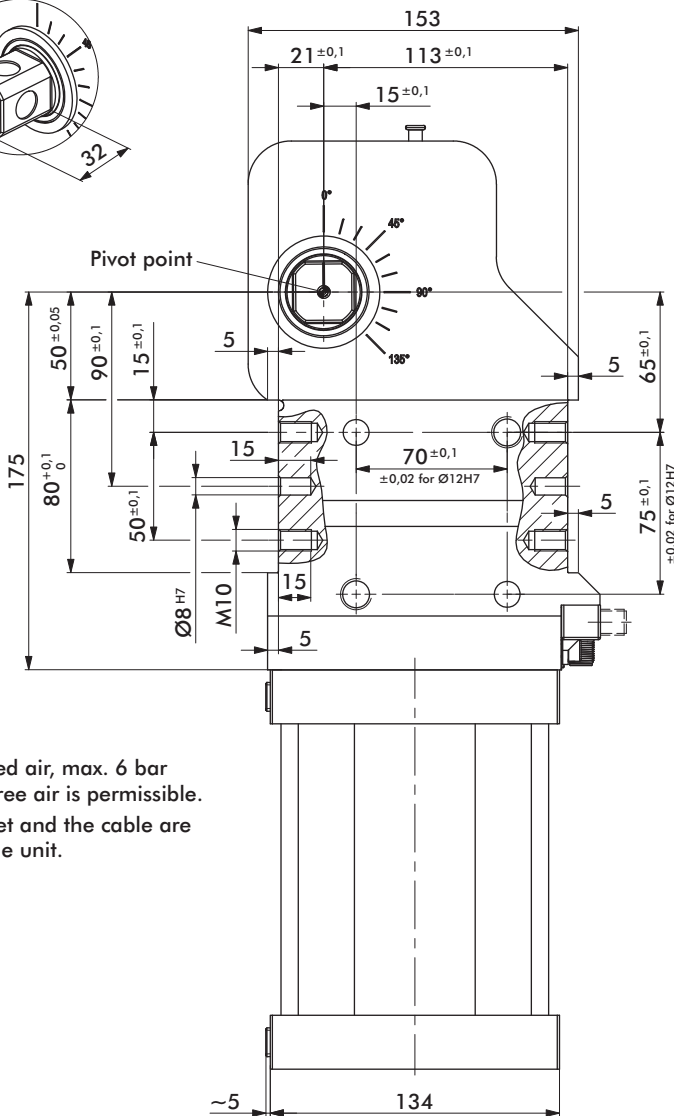
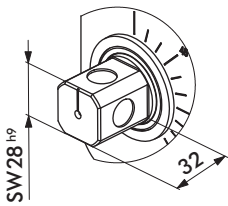
## Series 82M-3\*\*\*\*\*6\* Center of Mass



Series 82M-3E\*\*\*\*8\* Standard Clamp Dimensions



Dimensions of the driven shaft



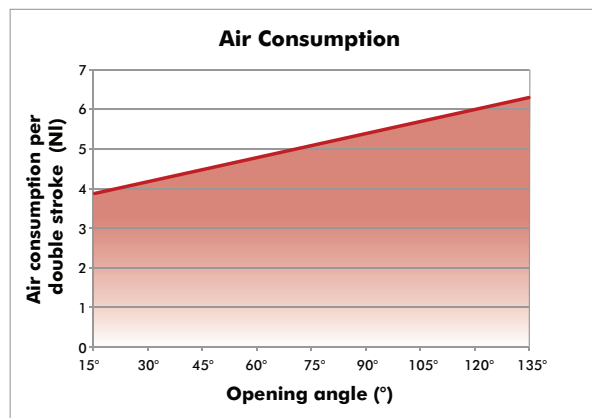
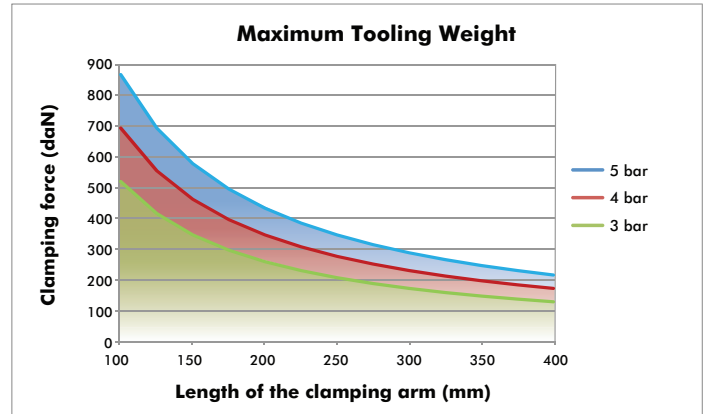
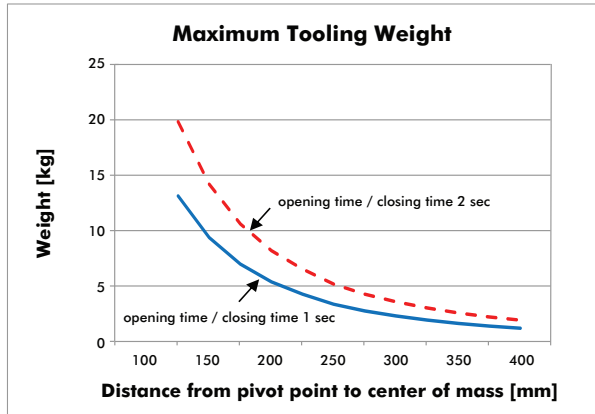
Power by compressed air, max. 6 bar operation with oil-free air is permissible. The connector socket and the cable are not supplied with the unit.

**Important !**  
For optimal cushioning external pneumatic one-way, flow control valves should be used.



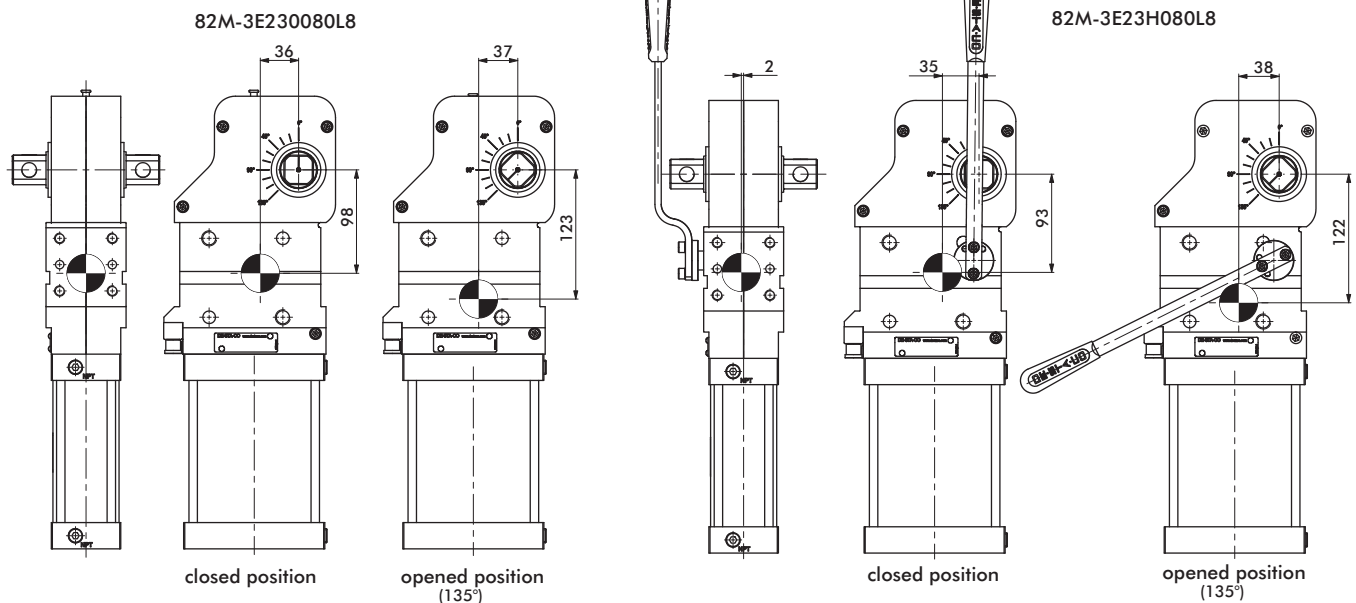
## Series 82M-3E\*\*\*\*8\* Specifications

Model	Connection (C)	Max. Holding Torque (Nm)	Clamping Torque at 5 bar (Nm)	Cylinder Ø (mm)	Weight (kg)	Air Consumption per double stroke at 5 bar (liter)
82M-3E****80**	G 1/4	3000	850	80	8,7	6,3
82M-3E****8N**	1/4-18 NPT					

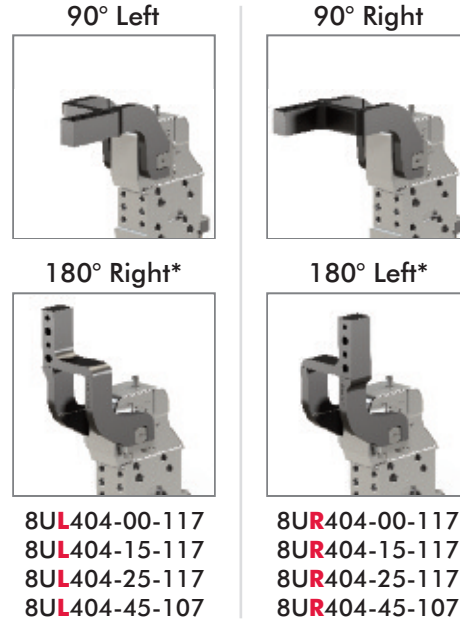
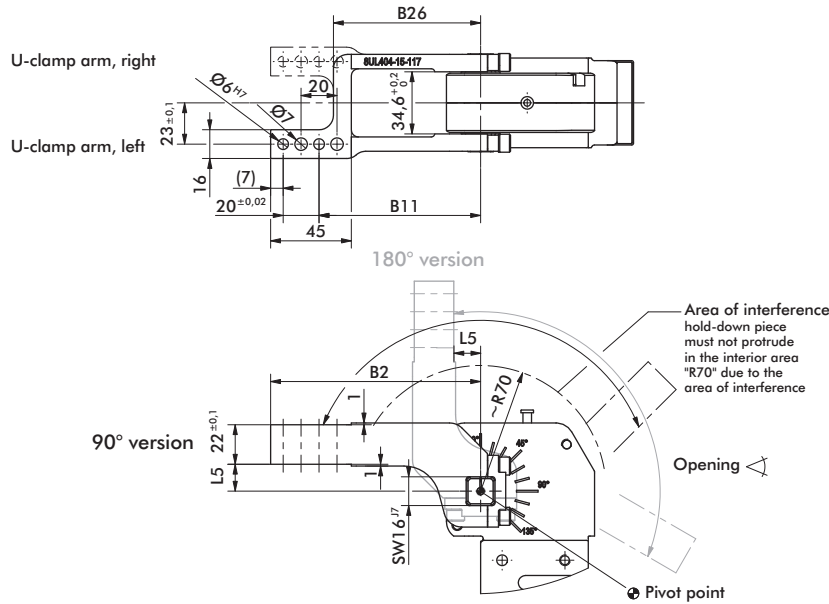


Model	Weight
82M-3E230080L*	8,7
82M-3E23H080L*	9,2

## Series 82M-3E\*\*\*\*8\* Center of Mass



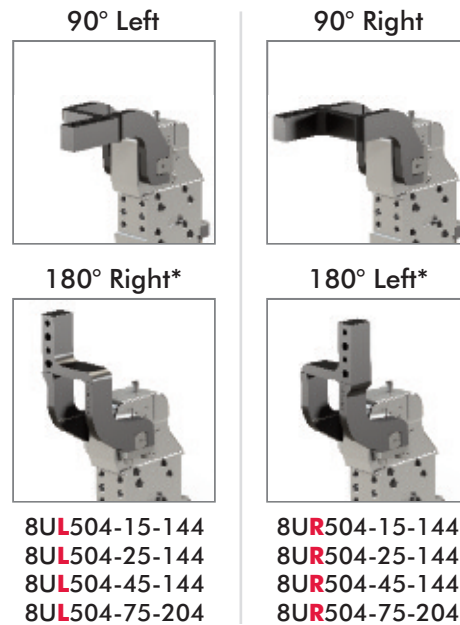
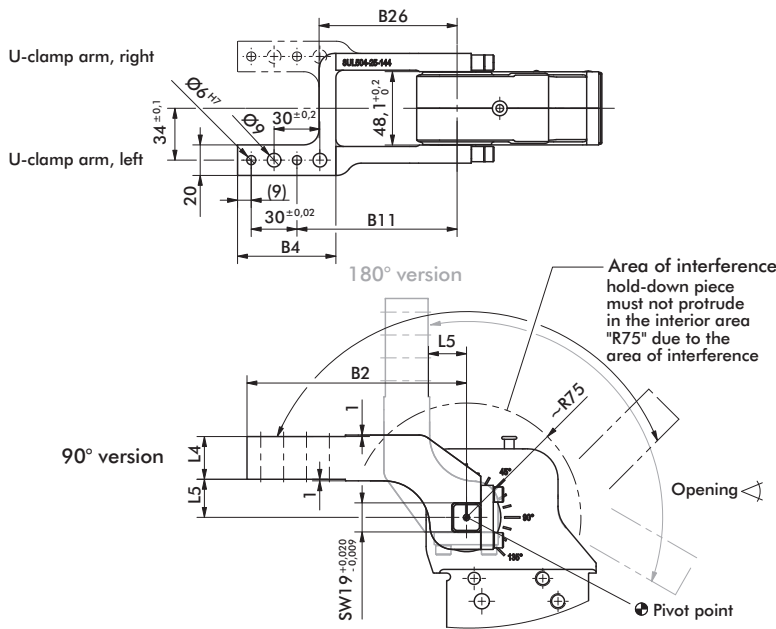
Series 82M-3E\*\*\*\*40\*\* U-Arms Offset



Arm Model No.	Max. Opening 90° Version	Max. Opening 180° Version	Weight	B2	B11 ±0,1	B26	L5
8U(•)404-00-117	135°	105°	0,23				0
8U(•)404-15-117		120°	0,24	117	90	82	15
8U(•)404-25-117		135°	0,25				25
8U(•)404-45-107			0,25	107	80	72	45

\*90° left/180° right uses same clamp arm. 90° right/180° left uses same clamp arm. See images above.

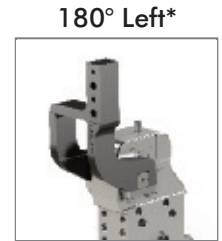
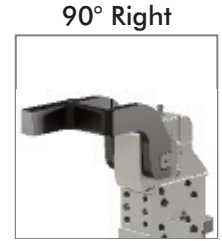
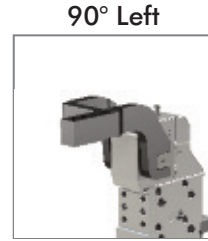
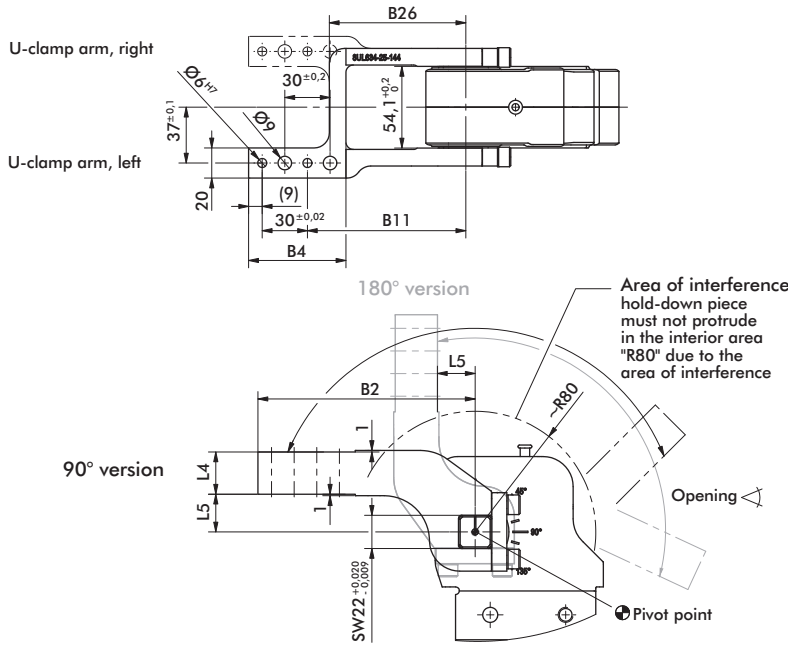
Series 82M-3E\*\*\*\*5\*\*\* U-Arms Offset



Arm Model No.	Max. Opening 90° Version	Max. Opening 180° Version	Weight	B2	B4	B11 ±0,1	B26	L4 ±0,1	L5
8U(•)504-15-144	135°	105°	0,44						15
8U(•)504-25-144		120°		144	64,5	105	90,5	28	25
8U(•)504-45-144		135°	0,46						45
8U(•)504-75-204			0,57	204	84	165	116	30	75

\*90° left/180° right uses same clamp arm. 90° right/180° left uses same clamp arm. See images above.

## Series 82M-3\*\*\*\*6\*\*\* U-Arms Offset



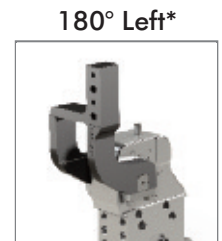
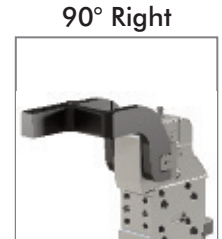
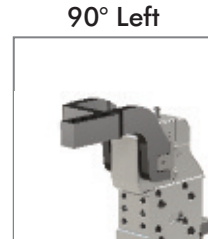
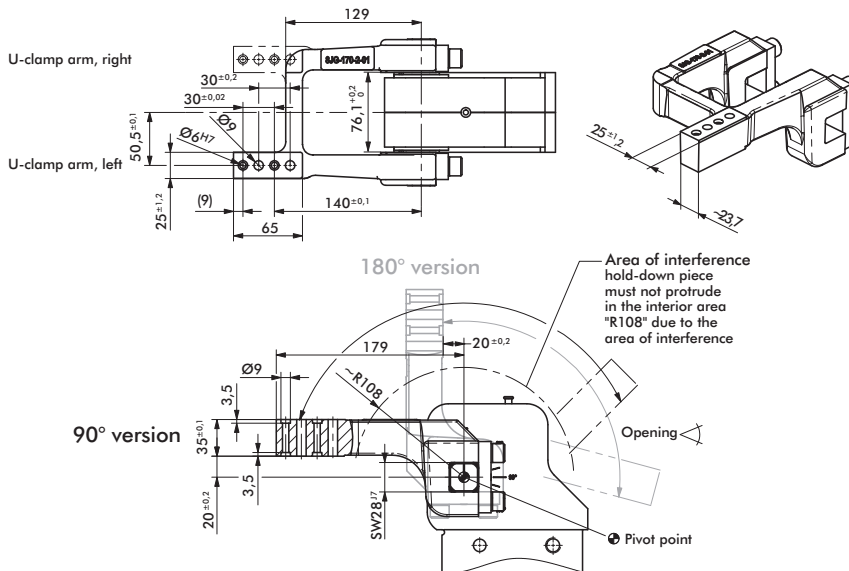
8UL634-15-144  
8UL634-25-144  
8UL634-45-144  
8UL634-75-204

8UR634-15-144  
8UR634-25-144  
8UR634-45-144  
8UR634-75-204

Arm Model No.	Max. Opening 90° Version	Max. Opening 180° Version	Weight	B2	B4	B11 ±0,1	B26	L4 ±0,1	L5
8U(•)634-15-144	135°	105°	0,52						15
8U(•)634-25-144		115°	0,54	144	64,5	105	90,5	28	25
8U(•)634-45-144		135°	0,58						45
8U(•)634-75-204		0,72	204	84	165	119	30	75	

\*90° left/180° right uses same clamp arm. 90° right/180° left uses same clamp arm. See images above.

## Series 82M-3E\*\*\*\*8\*\*\* U-Arms Offset



8JG-170-2-01

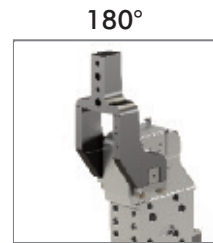
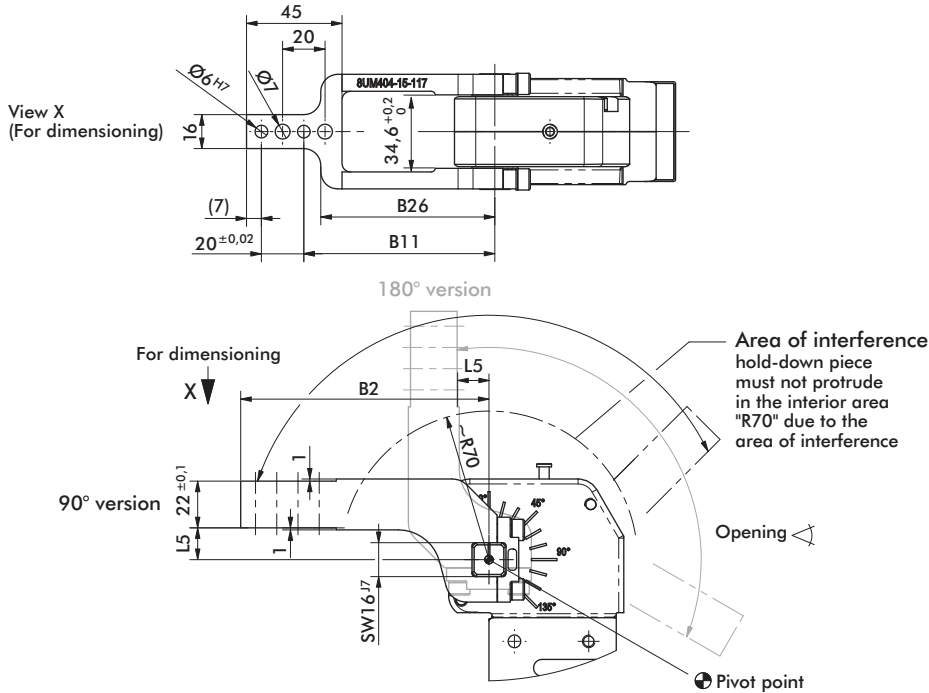
8JG-171-2-01

Arm Model No.	Max. Opening 90° Version	Max. Opening 180° Version	Weight
8JG-17(•)-2-01	135°	105°	0,35

\*90° left/180° right uses same clamp arm. 90° right/180° left uses same clamp arm. See images above.



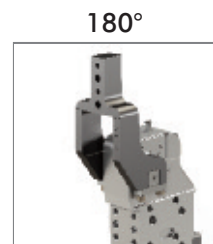
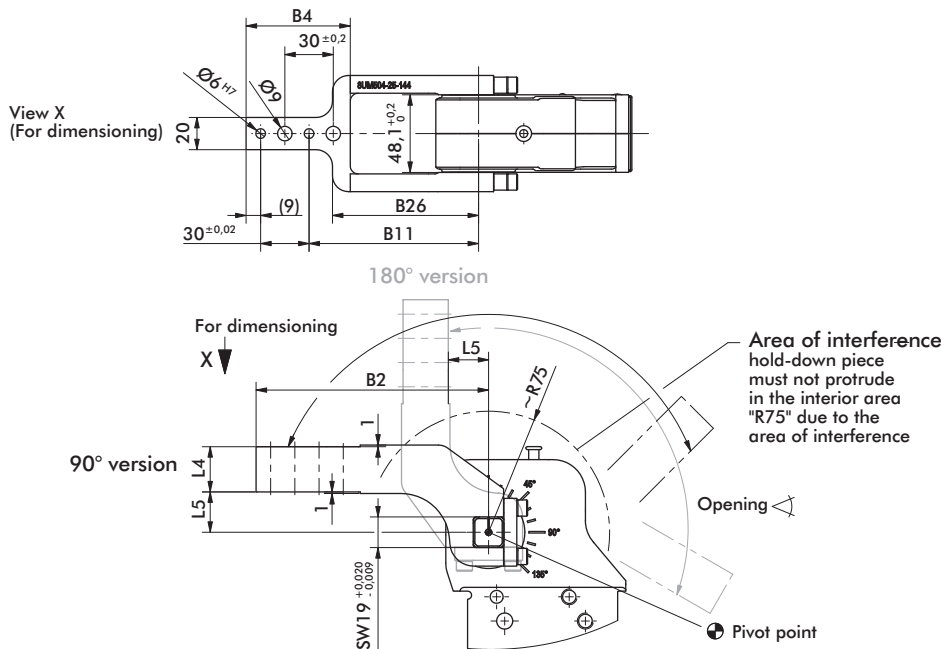
Series 82M-3E\*\*\*\*40\*\* U-Arms Center



90°  
180°  
8UM404-00-117  
8UM404-15-117  
8UM404-25-117  
8UM404-45-107

Arm Model No.	Max. Opening 90° Version	Max. Opening 180° Version	Weight	B2	B11 ±0,1	B26	L5
8UM404-00-117	135°	105°	0,23	117	90	82	15
8UM404-15-117		120°	0,24				
8UM404-25-117		135°	0,25	107	80	72	45
8UM404-45-107		0,24					

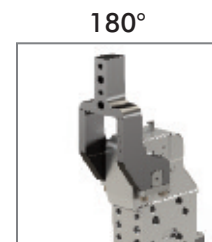
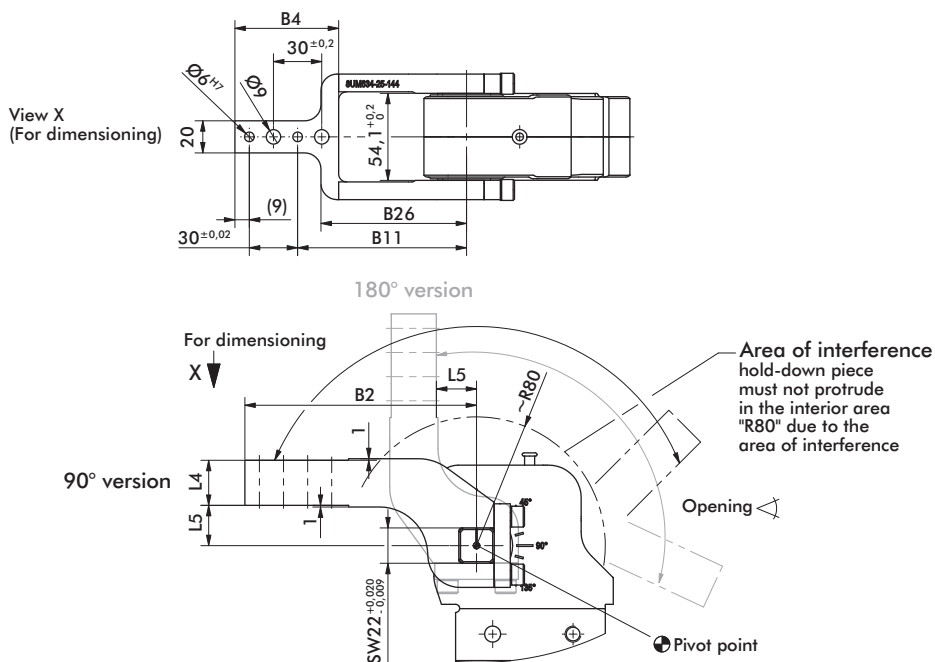
Series 82M-3E\*\*\*\*5\*\*\* U-Arms Center



90°  
180°  
8UM504-15-144  
8UM504-25-144  
8UM504-45-144  
8UM504-75-204

Arm Model No.	Max. Opening 90° Version	Max. Opening 180° Version	Weight	B2	B4	B11 ±0,1	B26	L4 ±0,1	L5
8UM504-15-144	135°	105°	0,43	144	64,5	105	90,5	28	24
8UM504-25-144		120°							
8UM504-45-144		135°	0,45	204	84	165	116	30	75
8UM504-75-204		0,56							

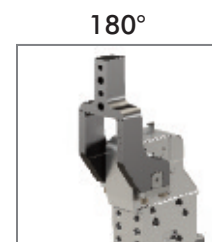
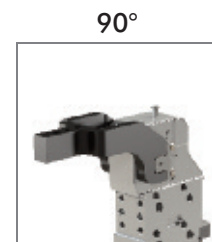
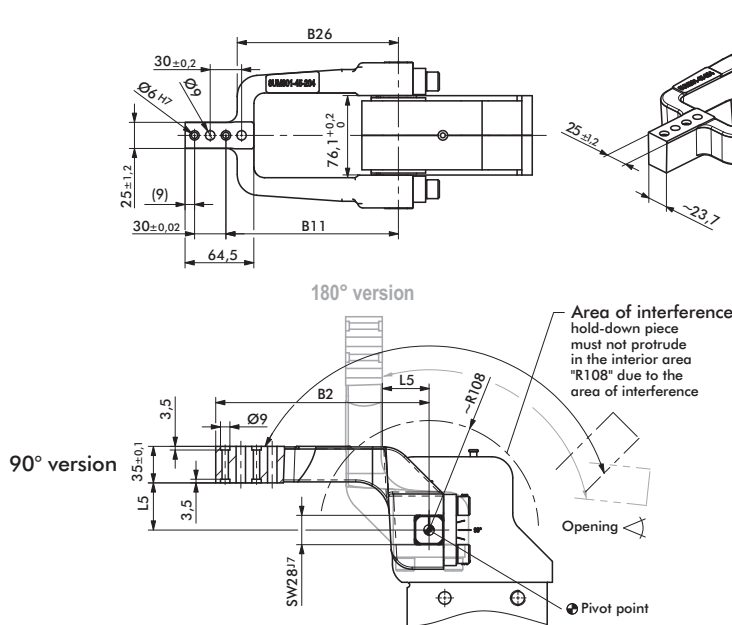
Series 82M-3\*\*\*\*6\*\*\* U-Arms Center



- 8UM634-15-144
- 8UM634-25-144
- 8UM634-45-144
- 8UM634-75-204

Arm Model No.	Max. Opening 90° Version	Max. Opening 180° Version	Weight	B2	B4	B11 ±0,1	B26	L4 ±0,1	L5
8UM634-15-144	135°	105°	0,50						15
8UM634-25-144		115°	0,53	144	64,5	105	90,5	28	25
8UM634-45-144		135°	0,55						45
8UM634-75-204		135°	0,70	204	84	165	120	30	75

Series 82M-3E\*\*\*\*8\*\*\* U-Arms Center

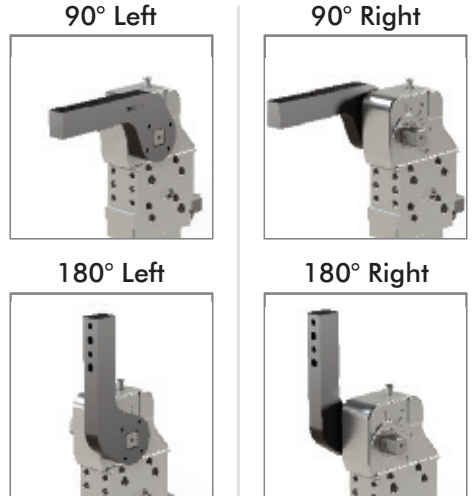
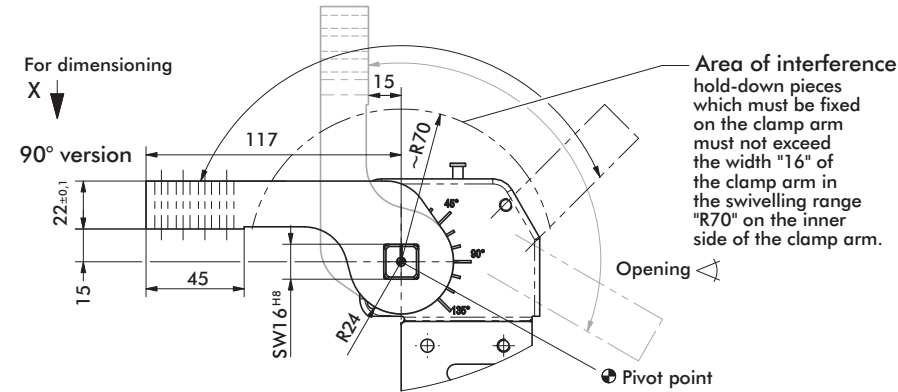
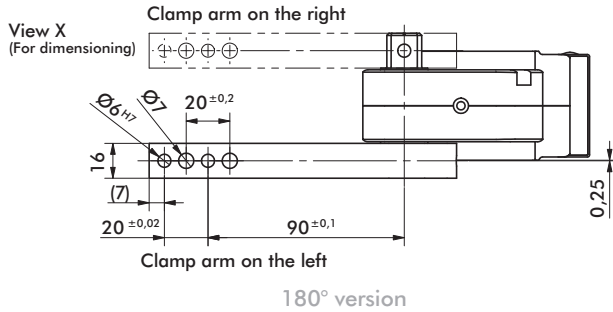


- 8JG-169-2-01
- 8UM801-45-204

Arm Model No.	Max. Opening 90° Version	Max. Opening 180° Version	Weight	B2	B11 ±0,1	B26	L5* ±0,2
8JG-169-2-01	135°	105°	3,5	179	140	129	20
8UM801-45-204		135°	4,1	204	165	154	45

\*Tolerance measured 80mm from pivot point.

Series 82M-3E\*\*\*\*40\*\* Lateral Arms

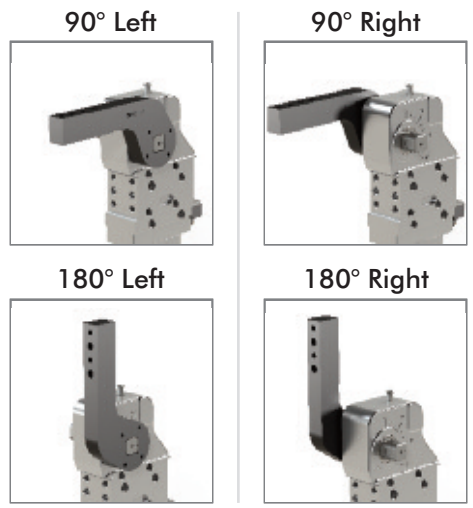
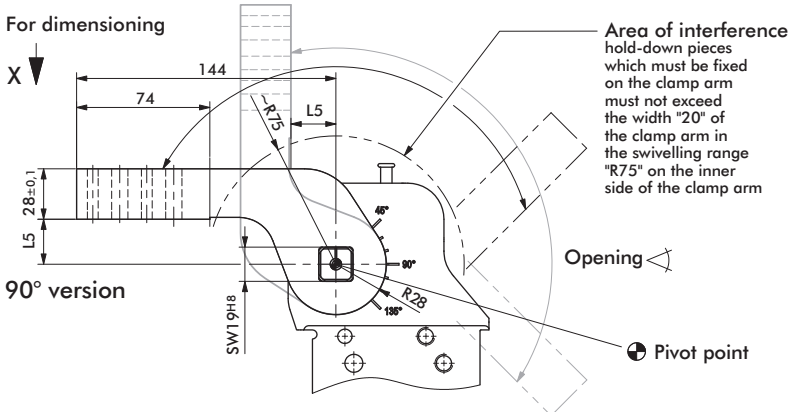
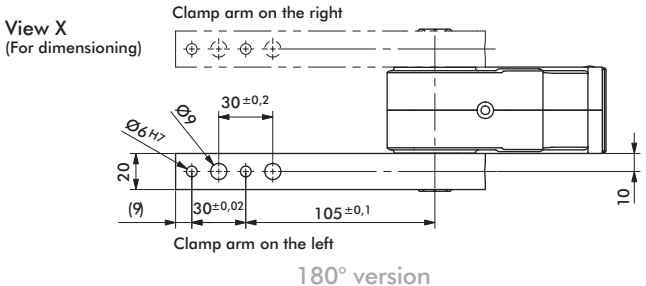


8S401-15-117

Arm Model No.	Max. Opening 90° Version	Max. Opening 180° Version	Weight
8S401-15-117	135°	120°	0,5

Models with 2 lateral clamp arms requires 2 clamp arm sets.

Series 82M-3E\*\*\*\*5\*\* Lateral Arms



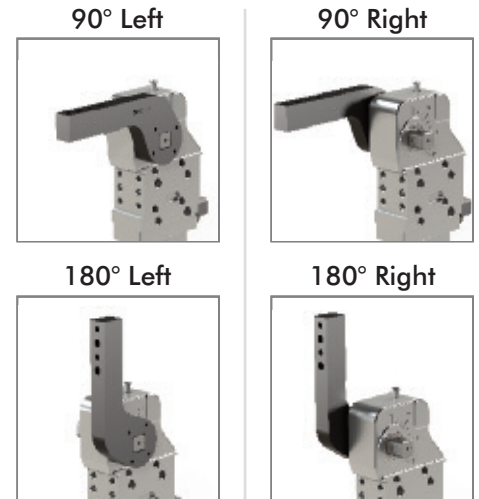
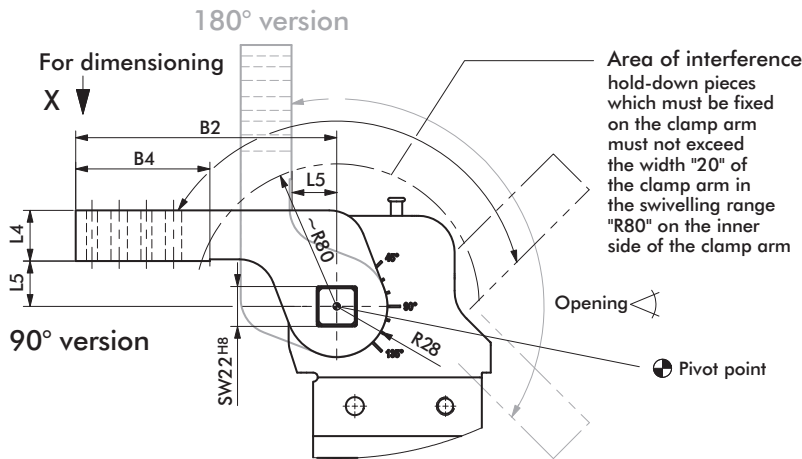
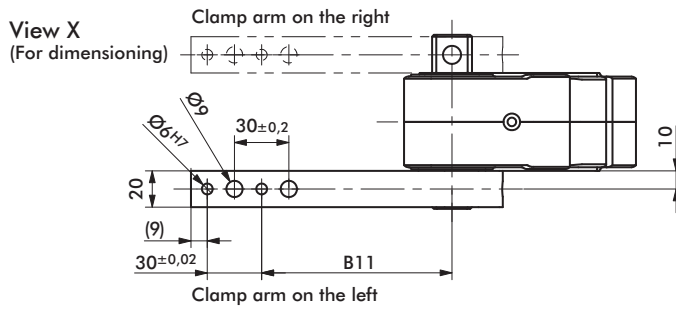
8JG-070-1-01  
8S501-25-144

Arm Model No.	Max. Opening 90° Version	Max. Opening 180° Version	Weight	L5
8JG-070-1-01	135°	135°	0,9	15
8S501-25-144			1,0	25

Models with 2 lateral clamp arms requires 2 clamp arm sets.



## Series 82M-3\*\*\*\*\*6\*\*\* Lateral Arms

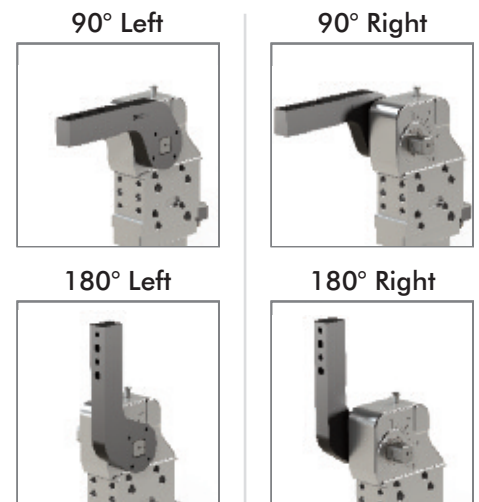
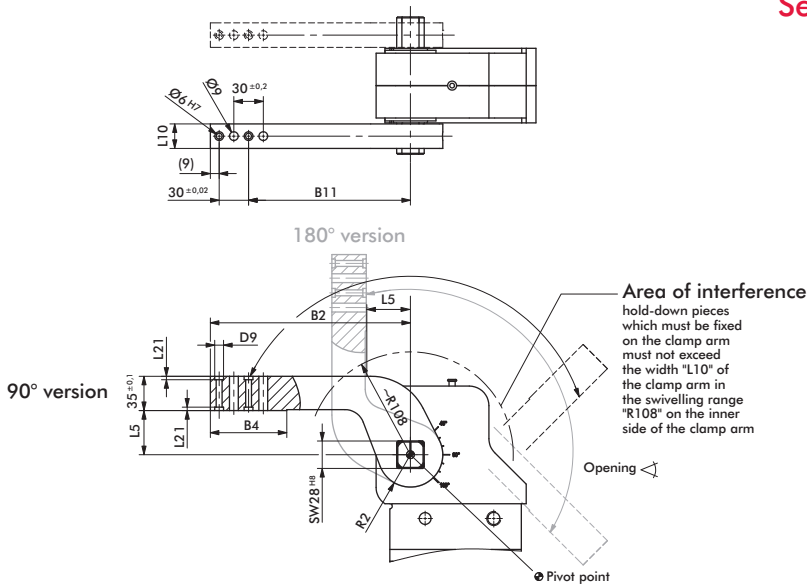


8JG-080-1-01  
8S631-25-144  
8S631-45-144  
8S631-75-204

Arm Model No.	Max. Opening 90° Version	Max. Opening 180° Version	Weight	B2	B4	B11 ±0,1	L4 ±0,1	L5
8JG-080-1-01	135°	135°	0,9	144	74	105	28	15
8S631-25-144			1,0					25
8S631-45-144			1,1					45
8S631-75-204			1,5					75

Models with 2 lateral clamp arms requires 2 clamp arm sets.

## Series 82M-3E\*\*\*\*\*8\*\*\* Lateral Arms

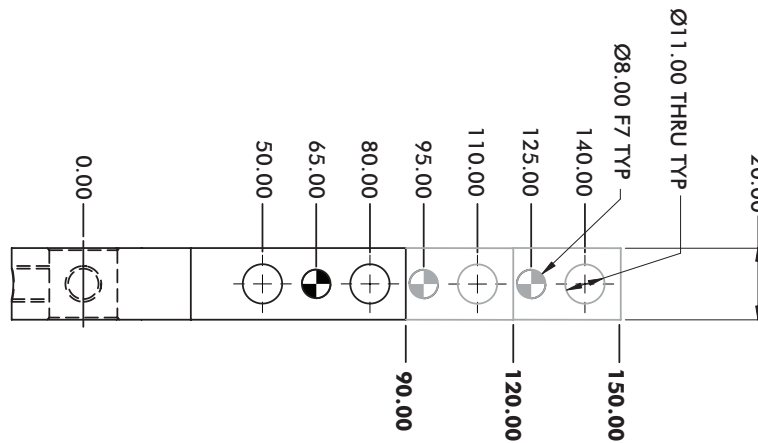
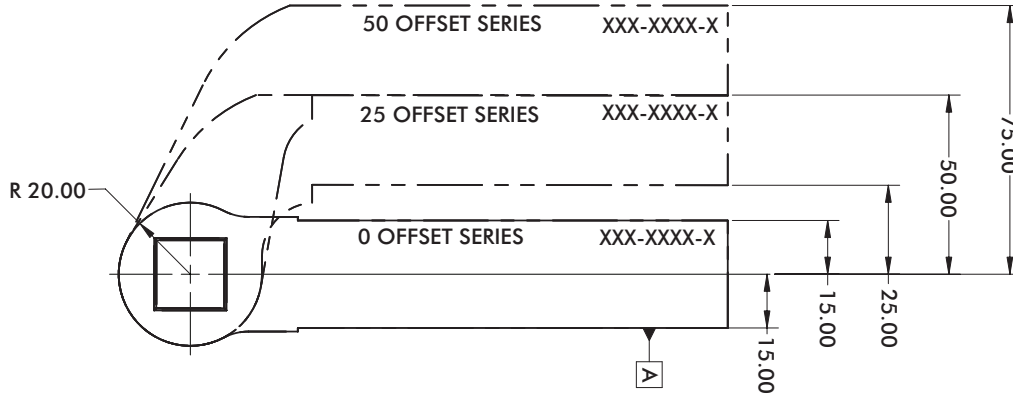


8S401-15-117  
8S801-4S-204

Arm Model No.	Max. Opening 90° Version	Max. Opening 180° Version	Weight	B2	B4	D9	B11 ±0,1	L5	L10	L21	R2
8JG-1179-1-01	135°	135°	2,1	179	74	-	140	20	30	-	35
8S801-4S-204				204	78	9	165	45	25	3,5	33

Models with 2 lateral clamp arms requires 2 clamp arm sets.

Series **82M-3** Lateral (Side) Arms, NAAMS-Style, 50mm



**90mm [3.54"] Arm Length**

Series	Arm Style	Model
50 Offset	▲ • 226	B8JG-1226-1
25 Offset	▲ • 216	B8JG-1216-1
0 Offset	▲ • 206	B8JG-1206-1

**120mm [4.72"] Arm Length**

Series	Arm Style	Model
50 Offset	▲ • 227	B8JG-1227-1
25 Offset	▲ • 217	B8JG-1217-1
0 Offset	▲ • 207	B8JG-1207-1

**150mm [5.90"] Arm Length**

Series	Arm Style	Model
50 Offset	▲ • 228	B8JG-1228-1
25 Offset	▲ • 218	B8JG-1218-1
0 Offset	▲ • 208	B8JG-1208-1

▲ Common in North America

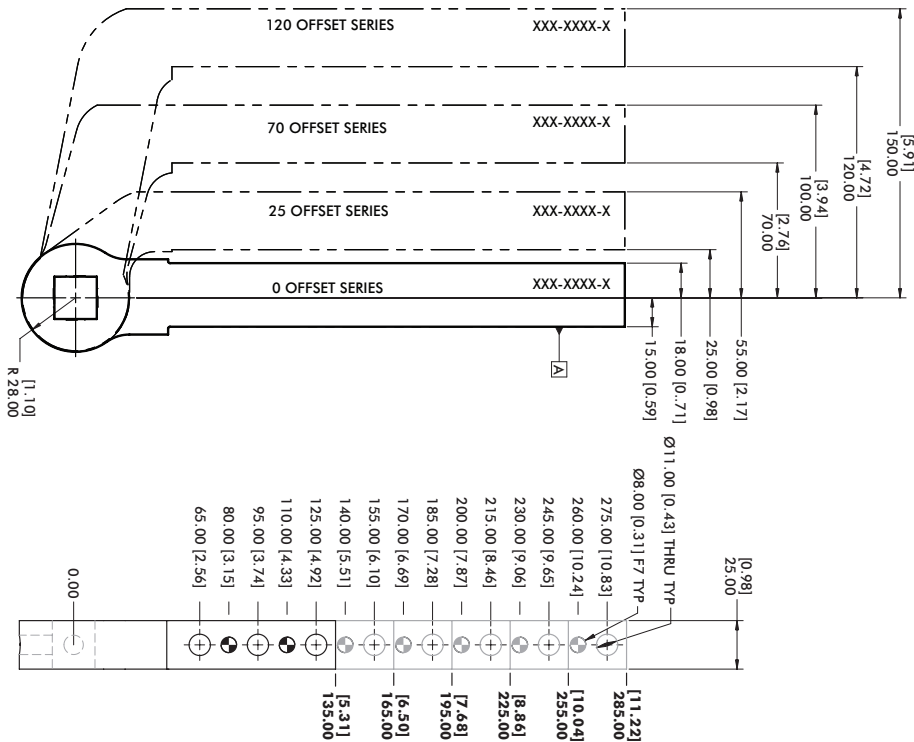
(•) STANDARD ARM OFFERING

**Maximum Opening Angle**

Arm Styles	90A	90B	18A	18B	27A	27B
206 - 208	120°	120°	90°	90°	N/A	N/A
216 - 218	120°	N/A	30°	120°	N/A	30°
226 - 228	120°	N/A	N/A	120°	N/A	60°



Series 82M-3 Lateral (Side) Arms, NAAMS-Style, 63mm



135mm [5.31"] Arm Length

Series	Arm Style	Model
120 Offset	▲ • 043	B8JG-1043-1
70 Offset	▲ • 031	B8JG-1031-1
25 Offset	▲ • 019	B8JG-1019-1
0 Offset	▲ • 007	B8JG-1007-1

165mm [6.50"] Arm Length

Series	Arm Style	Model
120 Offset	▲ (Ⓢ) 044	B8JG-1044-1
70 Offset	▲ • 032	B8JG-1032-1
25 Offset	▲ • 020	B8JG-1020-1
0 Offset	▲ • 008	B8JG-1008-1

195mm [7.68"] Arm Length

Series	Arm Style	Model
120 Offset	▲ (Ⓢ) 045	B8JG-1045-1
70 Offset	▲ • 033	B8JG-1033-1
25 Offset	▲ (Ⓢ) 021	B8JG-1021-1
0 Offset	▲ • 009	B8JG-1009-1

225mm [8.86"] Arm Length

Series	Arm Style	Model
120 Offset	▲ (Ⓢ) 046	B8JG-1046-1
70 Offset	▲ • 034	B8JG-1034-1
25 Offset	▲ (Ⓢ) 022	B8JG-1022-1
0 Offset	▲ (Ⓢ) 010	B8JG-1010-1

255mm [10.04"] Arm Length

Series	Arm Style	Model
120 Offset	▲ (Ⓢ) 047	B8JG-1047-1
70 Offset	▲ • 035	B8JG-1035-1
25 Offset	▲ (Ⓢ) 023	B8JG-1023-1
0 Offset	▲ (Ⓢ) 011	B8JG-1011-1

285mm [11.22"] Arm Length

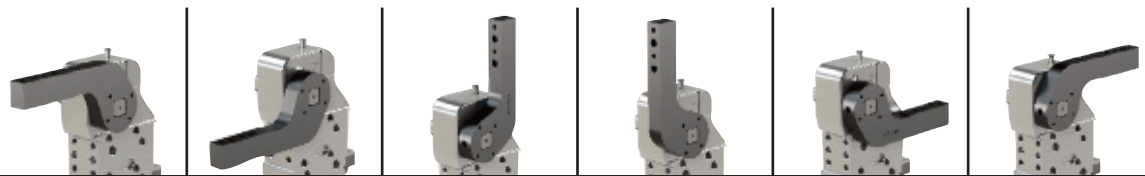
Series	Arm Style	Model
120 Offset	▲ (Ⓢ) 048	B8JG-1048-1
70 Offset	▲ (Ⓢ) 036	B8JG-1036-1
25 Offset	▲ (Ⓢ) 024	B8JG-1024-1
0 Offset	▲ (Ⓢ) 012	B8JG-1012-1

▲ Common in North America

(Ⓢ) STANDARD ARM OFFERING

(Ⓢ) NON-STANDARD ARM OFFERING (extended leadtimes apply)

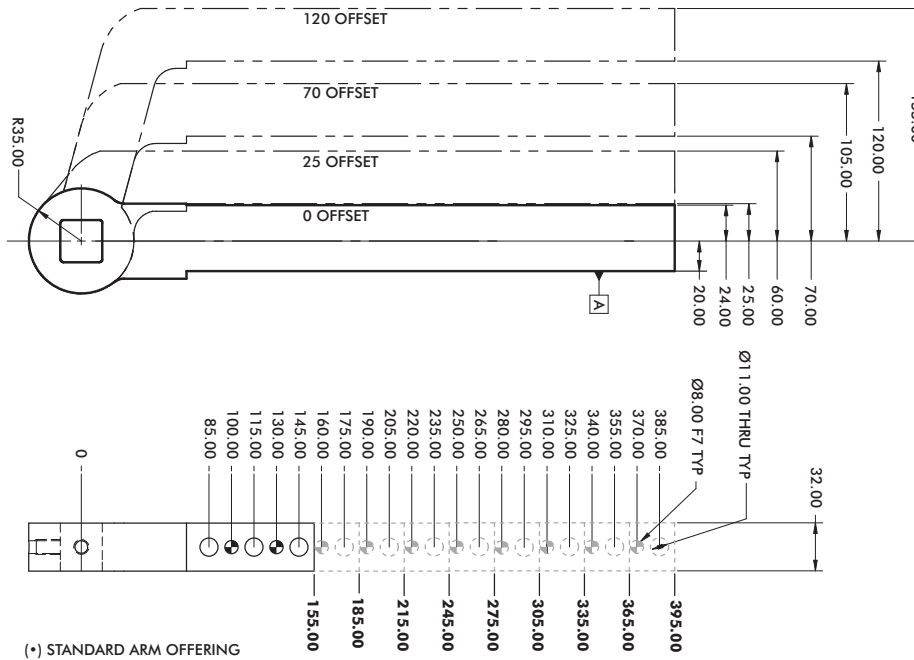
Maximum Opening Angle



Arm Styles	90A	90B	18A	18B	27A	27B
007 - 012	120°	120°	90°	90°	N/A	N/A
019 - 024	105°	N/A	45°	120°	N/A	30°
031 - 036	105°	N/A	N/A	120°	N/A	60°
043 - 048	105°	120°	120°	120°	N/A	75°



## Series 82M-3 Lateral (Side) Arms, NAAMS-Style, 80mm



### 155mm [4.53"] Arm Length

Series	Arm Style	Model
120 Offset	▲ ①170	B8JG-1170-1
70 Offset	▲ • 150	B8JG-1150-1
25 Offset	▲ ①130	B8JG-1130-1
0 Offset	▲ ①110	B8JG-1110-1

### 185mm [7.28"] Arm Length

Series	Arm Style	Model
120 Offset	▲ ①171	B8JG-1171-1
70 Offset	▲ ①151	B8JG-1151-1
25 Offset	▲ ①131	B8JG-1131-1
0 Offset	▲ ①111	B8JG-1111-1

### 215mm [8.46"] Arm Length

Series	Arm Style	Model
120 Offset	▲ ①172	B8JG-1172-1
70 Offset	▲ ①152	B8JG-1152-1
25 Offset	▲ ①132	B8JG-1132-1
0 Offset	▲ • 112	B8JG-1112-1

### 245mm [9.65"] Arm Length

Series	Arm Style	Model
120 Offset	▲ ①173	B8JG-1173-1
70 Offset	▲ ①153	B8JG-1153-1
25 Offset	▲ ①133	B8JG-1133-1
0 Offset	▲ ①113	B8JG-1113-1

### 275mm [10.83"] Arm Length

Series	Arm Style	Model
120 Offset	▲ ①174	B8JG-1174-1
70 Offset	▲ ①154	B8JG-1154-1
25 Offset	▲ • 134	B8JG-1134-1
0 Offset	▲ ①114	B8JG-1114-1

### 305mm [12.00"] Arm Length

Series	Arm Style	Model
120 Offset	▲ ①175	B8JG-1175-1
70 Offset	▲ • 155	B8JG-1155-1
25 Offset	▲ ①135	B8JG-1135-1
0 Offset	▲ ①115	B8JG-1115-1

### 335mm [13.19"] Arm Length

Series	Arm Style	Model
120 Offset	▲ ①176	B8JG-1176-1
70 Offset	▲ ①156	B8JG-1156-1
25 Offset	▲ ①136	B8JG-1136-1
0 Offset	▲ ①116	B8JG-1116-1

### 365mm [14.37"] Arm Length

Series	Arm Style	Model
120 Offset	▲ ①177	B8JG-1177-1
70 Offset	▲ ①157	B8JG-1157-1
25 Offset	▲ ①137	B8JG-1137-1
0 Offset	▲ ①117	B8JG-1117-1

### 395mm [15.55"] Arm Length

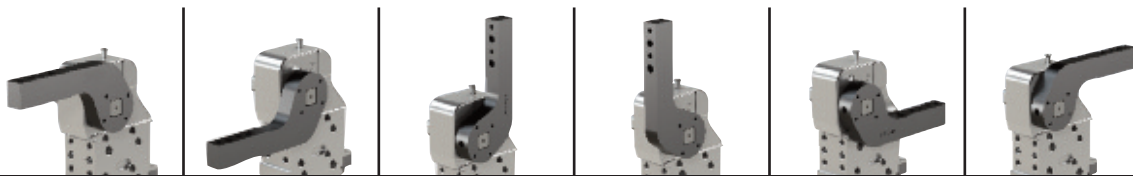
Series	Arm Style	Model
120 Offset	▲ ①178	B8JG-1178-1
70 Offset	▲ • 158	B8JG-1158-1
25 Offset	▲ ①138	B8JG-1138-1
0 Offset	▲ • 118	B8JG-1118-1

▲ Common in North America

(•) STANDARD ARM OFFERING

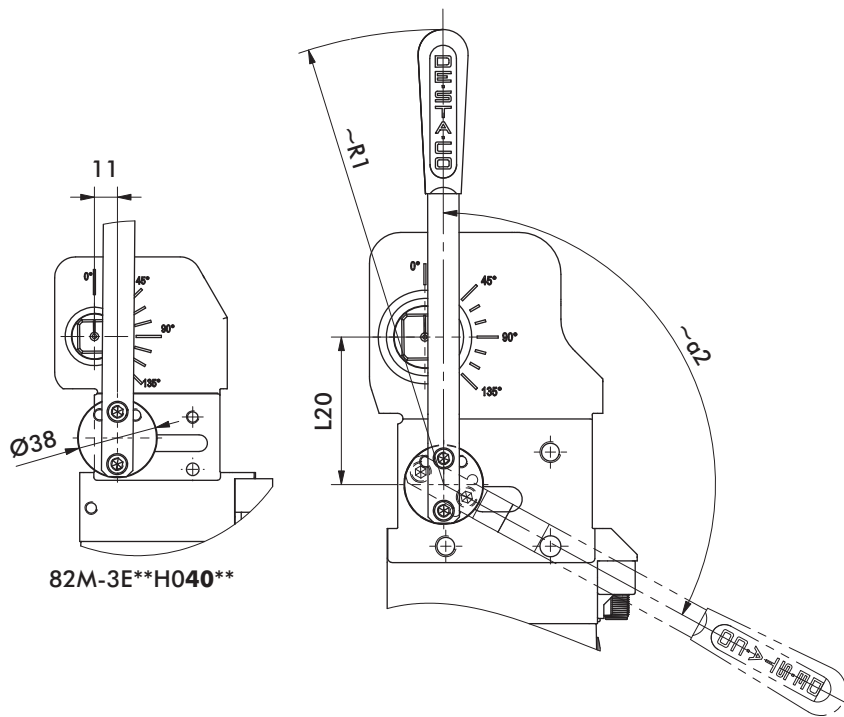
① NON-STANDARD ARM OFFERING (extended leadtimes apply)

### Maximum Opening Angle



Arm Styles	90A	90B	18A	18B	27A	27B
100 - 118	135°	135°	105°	105°	N/A	N/A
120 - 138	135°	N/A	60°	120°	N/A	30°
140 - 158	120°	N/A	30°	135°	N/A	45°
160 - 178	105°	N/A	N/A	135°	N/A	75°

Hand Lever Accessory



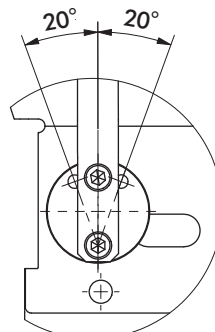
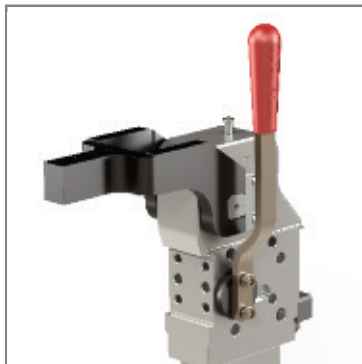
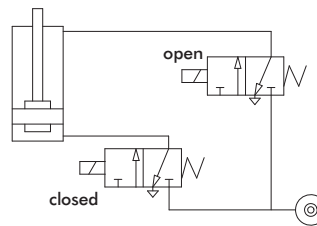
82M-3E\*\*H040\*\*

Hand lever left

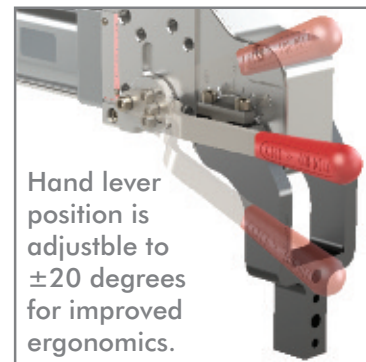
Hand lever right



Pneumatic circuit required for manual and pneumatic actuation.



Hand lever can be mounted in 3 positions



Hand lever position is adjustable to ±20 degrees for improved ergonomics.

Model No.	B21	B28	L20	~R1	Swivel Angle α2 (with reference to opening angle of clamp arm)												
					0°	15°	30°	45°	60°	75°	90°	105°	120°	134°	144°		
82M-3E..H040..	27	24	48,5	190	0°	31°	41°	49°	58°	69°	88°	113°	134°	144°			
82M-3E..H05...	52	20	70	218	1°	32°	40°	48°	55°	63°	72°	83°	95°	105°			
82M-3E..H06..	52	20	70,5	218	0°	30°	39°	47°	56°	66°	79°	94°	108°	119°			
82M-3E..H08..	61	24	82	258	-1°	28°	37°	45°	53°	63°	75°	92°	107°	117°			

**Locking Device for Hand Lever** Accessory

Adjustment of locking device at opening angle 135°

Situation of installation:  
handlever left-hand side  
locking device right-hand side

Situation of installation:  
handlever right-hand side  
locking device left-hand side

Order No.	For Model	B1	B2	B3
82ZB-084-1	82M-3E**H05***	48	7	70
82ZB-039-1	82M-3E**H06***	54	9	70,5

**Anti-Ramming Device** Accessory

Pivot point

Order No.	For Model	B1	B2	B3	B4	B5
8AB-151-1	82M-3E**H04***	53	66,5	89,5	65,5	210,5
8AB-152-1	82M-3E**H05***	51	73	100	92,5	271
8AB-153-1	82M-3E**H06***	57	79	120	104,5	296
8AB-154-1	82M-3E**H08***	79	105,5	148	142,5	360



Notes

A large, empty grid of small squares occupies the central portion of the page, intended for handwritten notes or technical drawings.





A DOVER COMPANY

## Workholding

- Widest variety of workholding products
- High durability and reliability
- Flexible solutions for all applications
- Custom products for unique requirements

## Automation

- Broad range of engineered automation products
- Complementary products for modular integration
- Unmatched accuracy, reliability and performance
- Unparalleled global sales, service and engineering support

## GLOBAL LOCATIONS

### NORTH AMERICA

DE-STA-CO Headquarters  
 Auburn Hills, Michigan  
 Tel: 1.248.836.6700  
 Toll Free: 1.888.DESTACO  
 Marketing: [marketing@destaco.com](mailto:marketing@destaco.com)  
 Customer Service: [customerservice@destaco.com](mailto:customerservice@destaco.com)

Charlevoix, Michigan  
 Tel: 1.888.DESTACO  
 Customer Service: [customerservice@destaco.com](mailto:customerservice@destaco.com)

Wheeling, Illinois  
 Tel: 1.800.645.5207  
 Customer Service: [camco@destaco.com](mailto:camco@destaco.com)

Red Wing, Minnesota (Central Research Laboratories)  
 Tel: 651.385.2142  
 Customer Service: [sales@centres.com](mailto:sales@centres.com)

### SOUTH AMERICA

Brazil  
 Tel: 0800-124070  
 Customer Service: [samerica@destaco.com](mailto:samerica@destaco.com)

### ASIA

Thailand  
 Tel: +66-2-326-0812  
 Customer Service: [info@destaco.com](mailto:info@destaco.com)

China  
 Tel: +86-21-6081-2888  
 Customer Service: [china@destaco.com](mailto:china@destaco.com)

India  
 Tel: +91-80-41123421-426  
 Customer Service: [india@destaco.com](mailto:india@destaco.com)

### EUROPE

Germany  
 Tel: +49-6171-705-0  
 Customer Service: [europa@destaco.com](mailto:europa@destaco.com)

France  
 Tel: +33-1-3996-5000  
 Customer Service: [france@destaco.com](mailto:france@destaco.com)

UK  
 Tel: +44-1902-797980  
 Customer Service: [uk@destaco.com](mailto:uk@destaco.com)

Spain  
 Tel: +34-936361680  
 Customer Service: [spain@destaco.com](mailto:spain@destaco.com)

Netherlands  
 Tel: +31-297285332  
 Customer Service: [benelux@destaco.com](mailto:benelux@destaco.com)



A DOVER COMPANY

1025 Doris Road  
 Auburn Hills, MI 48326 USA  
 Tel 1.888.DESTACO  
 Fax 1.248.836.6901  
 Email [customerservice@destaco.com](mailto:customerservice@destaco.com)  
[destaco.com](http://destaco.com)



© Copyright, 2013 DE-STA-CO. All rights for layout, photos and text rest with the publisher DE-STA-CO. All photomechanical or other reproductions only with our express permission. All sales are based on our terms and conditions of sale, delivery and payment.

DSC\_82M3E\_0813\_US\_XXK